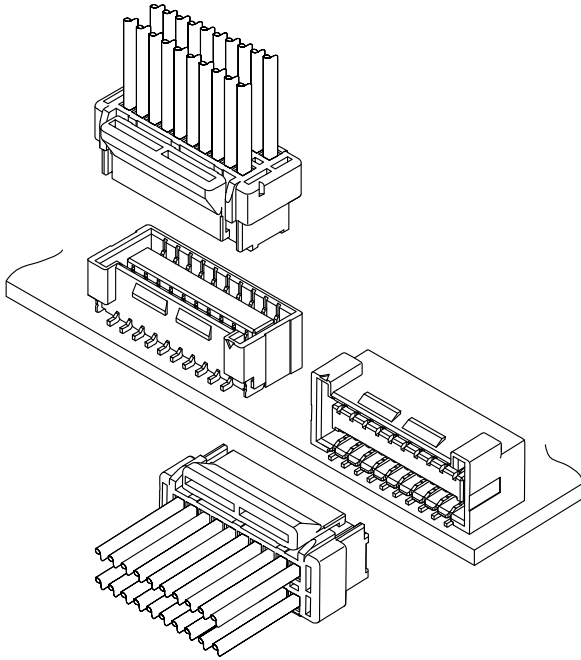


A1259 GHD CONNECTOR

1.25mm Pitch/Disconnectable Crimp style connectors



To meet the requirement of the high density mounting on PC board of flat panel TV, AV equipments etc., this connector is designed to the double-row type of 1.25mm pitch. Its operability is very well, in spite of the small size.

 E529482

- Secure lock device
- Low insertion force
- Prevention of contact deformation
- Suction area for picking up

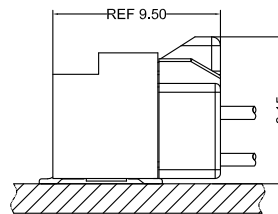
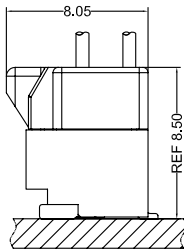
Specifications:

- Current rating: 1.0 A / AC,DC (AWG #26)
- Voltage rating: 50 V AC/DC
- Temperature range: -25°C ~ +105°C
(including temperature rise in applying electrical current)
- Contact resistance:
 - Initial value/Top entry type: 30 mΩ max.
 - Side entry type: 50 mΩ max
 - After environmental tests/ Top entry type: 50 mΩ max.
 - Side entry type: 70 mΩ max
- Insulation resistance: 100 MΩ min
- Withstanding voltage: 500 VAC/minute
- Applicable wire: Conductor size/ AWG#32~#26
Insulation O.D./ 0.40 to 1.00 mm

- * Compliant with RoHS2/ HF/ REACH
- * Refer to "General Instruction and Notice when using Terminals and Connectors"
- * Contact CSG for details

Material:

Housing: PA66/UL94-V0;Color:White
Terminal: Phosphor/ Tin-plated,Gold-Plated
Wafer Housing: LCP,UL94-V0;Color:Gray
Wafer Pin: Phosphor/ Tin-plated,Gold-Plated
Wafer Fixed Foot: Brass/ Tin-plated

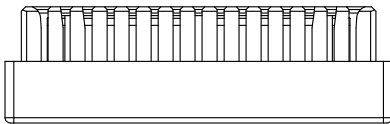
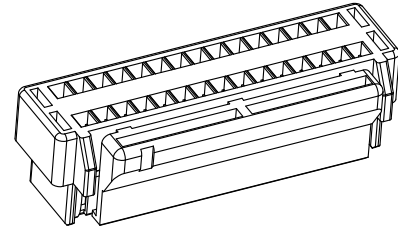
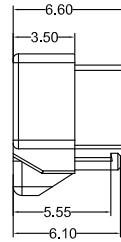
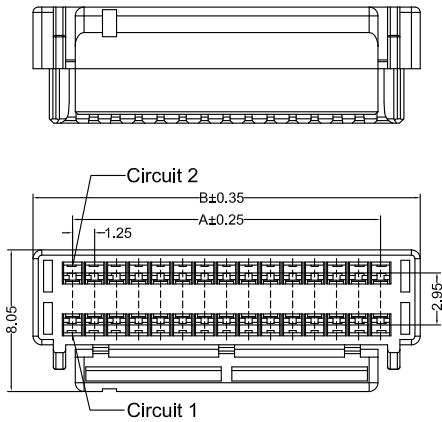


- Note: 1. The above figure is the figure viewed from the connector mounting side.
2. Tolerances are non-cumulative: ±0.08 mm for all centers.
3. The dimensions above should serve as a guideline. Contact CSG for details.

CSG

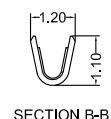
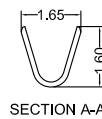
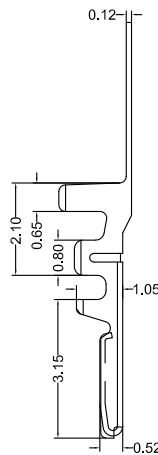
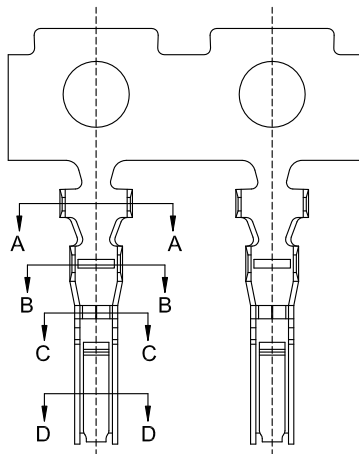
Tel:+86-769-85312070 85375507 E-mail:James@csg-china.com www.csg-china.com

A1259 GHD



A1259HF 2XX AK P6 9 079
 PIN 205=2X5PINS
 SPECIAL
 AK=BUCKLE
 Material P6=PA66 94V-0
 Code 079
 Color 9=White

| CSG PART NO. | Dimension mm | | Q'ty/BAG |
|--------------------|--------------|-------|----------|
| | A | B | |
| A1259HF205AKP69079 | 5.00 | 9.50 | 1000PCS |
| A1259HF206AKP69079 | 6.25 | 10.75 | 1000PCS |
| A1259HF207AKP69079 | 7.50 | 12.00 | 1000PCS |
| A1259HF208AKP69079 | 8.75 | 13.25 | 1000PCS |
| A1259HF209AKP69079 | 10.00 | 14.50 | 1000PCS |
| A1259HF210AKP69079 | 11.25 | 15.75 | 1000PCS |
| A1259HF211AKP69079 | 12.50 | 17.00 | 1000PCS |
| A1259HF212AKP69079 | 13.75 | 18.25 | 1000PCS |
| A1259HF213AKP69079 | 15.00 | 19.50 | 1000PCS |
| A1259HF214AKP69079 | 16.25 | 20.75 | 1000PCS |
| A1259HF215AKP69079 | 17.50 | 22.00 | 1000PCS |
| A1259HF216AKP69079 | 18.75 | 23.25 | 1000PCS |
| A1259HF217AKP69079 | 20.00 | 24.50 | 1000PCS |
| A1259HF218AKP69079 | 21.25 | 25.75 | 1000PCS |
| A1259HF219AKP69079 | 22.50 | 27.00 | 1000PCS |
| A1259HF220AKP69079 | 23.75 | 28.25 | 1000PCS |

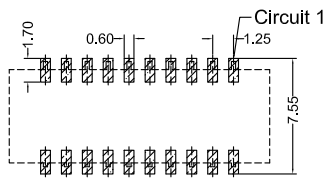
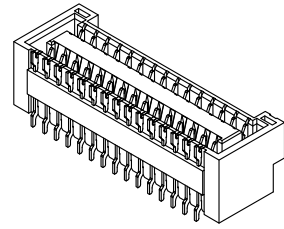
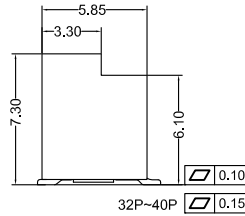
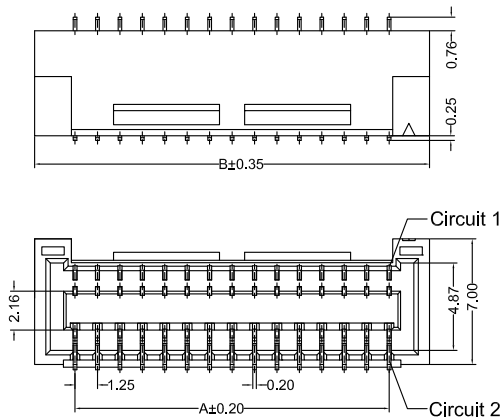


A1259 M 0 Δ XX 002
 Type M=Female Terminal
 Material A=Phosphor
 Finish TP=Tin-Plated GF=Gold-Plated G/F
 Code 002

| CSG PART NO. | Wire Range | Insulation O.D. | Q'ty/Reel |
|---------------|------------|-----------------|-----------|
| A1259M0ATP002 | AWG#26-#32 | 1.00mm(max) | 20000PCS |
| A1259M0AGF002 | AWG#26-#32 | 1.00mm(max) | 20000PCS |



A1259 GHD

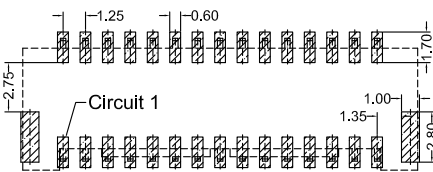
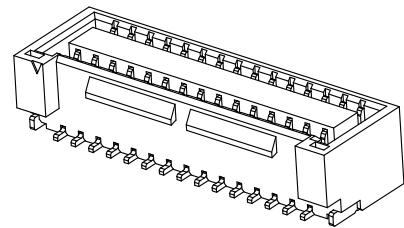
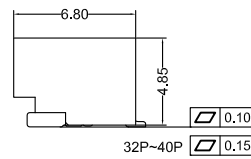
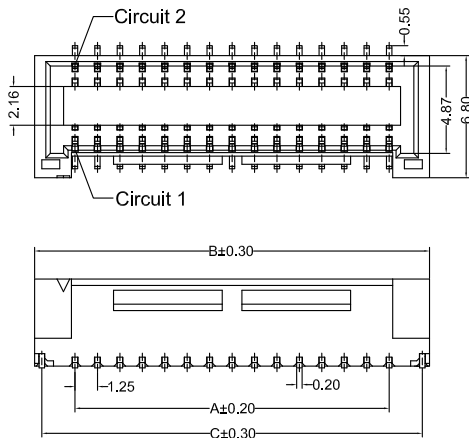


Recommended P.C.B Layout
General Tolerance±0.05

A1259RS.0XX AA LP XX B 8 001

- PIN
- 205=2X5PINS
- SPECIAL
- AA=NO Spedal
- Material
- LP=LCP 94V-0
- Finish
- TP=Terminal Tin-Plated
- GF=Terminal Gold-Plated
- Code
- 001
- Color
- 8=Gray
- Packing
- B=Tape & Reel

| CSG PART NO. | Dimension mm | | Q'ty/Reel |
|-----------------------|--------------|-------|-----------|
| | A | B | |
| A1259RS205AALPXXB8001 | 5.00 | 9.50 | 900PCS |
| A1259RS206AALPXXB8001 | 6.25 | 10.75 | 900PCS |
| A1259RS207AALPXXB8001 | 7.50 | 12.00 | 900PCS |
| A1259RS208AALPXXB8001 | 8.75 | 13.25 | 900PCS |
| A1259RS209AALPXXB8001 | 10.00 | 14.50 | 900PCS |
| A1259RS210AALPXXB8001 | 11.25 | 15.75 | 900PCS |
| A1259RS211AALPXXB8001 | 12.50 | 17.00 | 900PCS |
| A1259RS212AALPXXB8001 | 13.75 | 18.25 | 900PCS |
| A1259RS213AALPXXB8001 | 15.00 | 19.50 | 900PCS |
| A1259RS214AALPXXB8001 | 16.25 | 20.75 | 900PCS |
| A1259RS215AALPXXB8001 | 17.50 | 22.00 | 900PCS |
| A1259RS216AALPXXB8001 | 18.75 | 23.25 | 900PCS |
| A1259RS217AALPXXB8001 | 20.00 | 24.50 | 900PCS |
| A1259RS218AALPXXB8001 | 21.25 | 25.75 | 900PCS |
| A1259RS219AALPXXB8001 | 22.50 | 27.00 | 900PCS |
| A1259RS220AALPXXB8001 | 23.75 | 28.25 | 900PCS |



Recommended P.C.B Layout
General Tolerance±0.05

A1259VS.0XX AA LP XX B 8 001

- PIN
- 205=2X5PINS
- SPECIAL
- AA=NO Spedal
- Material
- LP=LCP 94V-0
- Finish
- TP=Terminal Tin-Plated
- GF=Terminal Gold-Plated
- Code
- 001
- Color
- 8=Gray
- Packing
- B=Tape & Reel

| CSG PART NO. | Dimension mm | | | Q'ty/Reel |
|-----------------------|--------------|-------|-------|-----------|
| | A | B | C | |
| A1259VS205AALPXXB8001 | 5.00 | 9.50 | 8.70 | 1250PCS |
| A1259VS206AALPXXB8001 | 6.25 | 10.75 | 9.95 | 1250PCS |
| A1259VS207AALPXXB8001 | 7.50 | 12.00 | 11.20 | 1250PCS |
| A1259VS208AALPXXB8001 | 8.75 | 13.25 | 12.45 | 1250PCS |
| A1259VS209AALPXXB8001 | 10.00 | 14.50 | 13.70 | 1250PCS |
| A1259VS210AALPXXB8001 | 11.25 | 15.75 | 14.95 | 1250PCS |
| A1259VS211AALPXXB8001 | 12.50 | 17.00 | 16.20 | 1250PCS |
| A1259VS212AALPXXB8001 | 13.75 | 18.25 | 17.45 | 1250PCS |
| A1259VS213AALPXXB8001 | 15.00 | 19.50 | 18.70 | 1250PCS |
| A1259VS214AALPXXB8001 | 16.25 | 20.75 | 19.95 | 1250PCS |
| A1259VS215AALPXXB8001 | 17.50 | 22.00 | 21.20 | 1250PCS |
| A1259VS216AALPXXB8001 | 18.75 | 23.25 | 22.45 | 1250PCS |
| A1259VS217AALPXXB8001 | 20.00 | 24.50 | 23.70 | 1250PCS |
| A1259VS218AALPXXB8001 | 21.25 | 25.75 | 24.95 | 1250PCS |
| A1259VS219AALPXXB8001 | 22.50 | 27.00 | 26.20 | 1250PCS |
| A1259VS220AALPXXB8001 | 23.75 | 28.25 | 27.45 | 1250PCS |