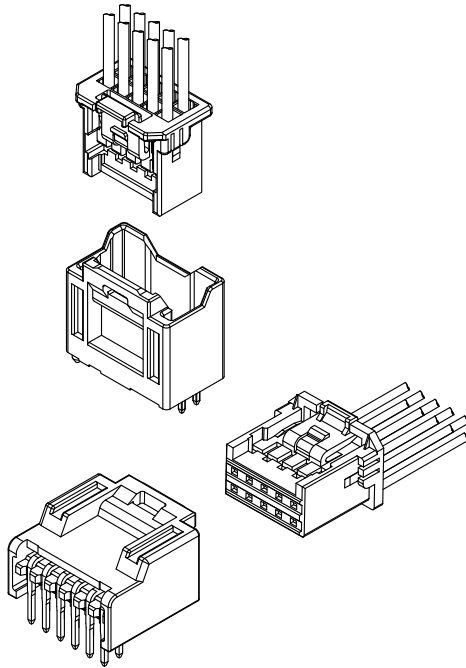


A2024 501646 CONNECTOR

2.00mm Pitch/Disconnectable Crimp style connectors



Specifications:

- Current rating: 3 A AC,DC (AWG #22)
 - Voltage rating: 250 V AC/DC
 - Temperature range: -25°C ~ +105°C
(including temperature rise in applying electrical current)
 - Contact resistance: Initial value/ 10m Ω max
After environmental testing/ 20m Ω max
 - Insulation resistance: 1000 M Ω min
 - Withstanding voltage: 1000 VAC/minute
 - Applicable wire: Conductor size/ AWG#28~#22
Insulation O.D./ 0.76 to 1.40 mm
- * Compliant with RoHS2/ REACH
* Refer to "General Instruction and Notice when using Terminals and Connectors"
* Contact CSG for details

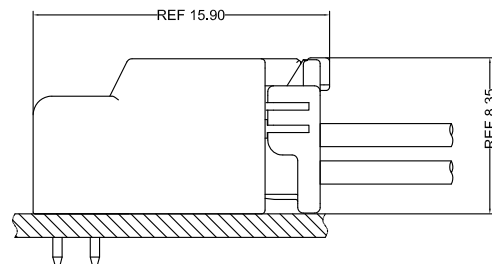
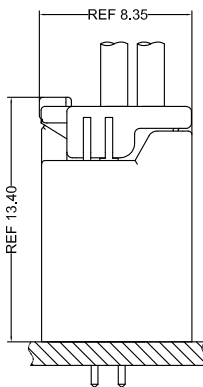
Material:

Housing: PA66/UL94-V0;Color:Gray

Terminal: Phosphor/ Tin-plated

DIP Wafer Housing: PA66,UL94-V0;Color:Gray

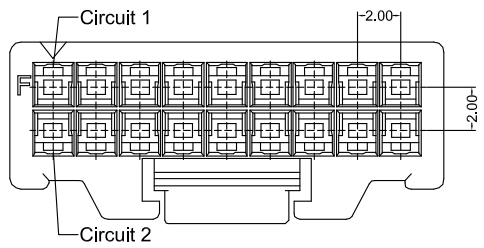
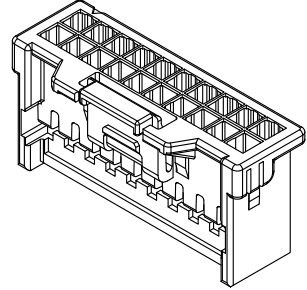
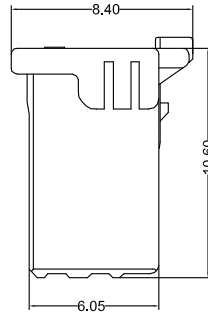
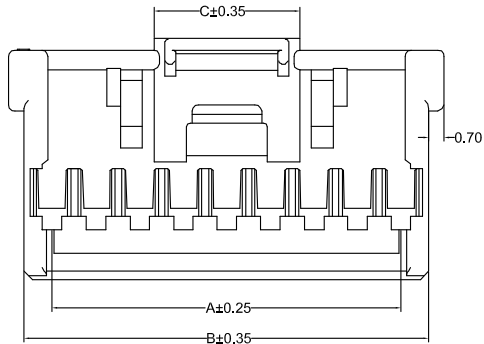
DIP Pin: Brass/ Tin-plated



- Note: 1. The above figure is the figure viewed from the connector mounting side.
2. Tolerances are non-cumulative: ± 0.08 mm for all centers.
3. The dimensions above should serve as a guideline. Contact CSG for details.

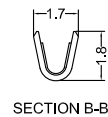
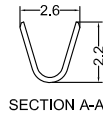
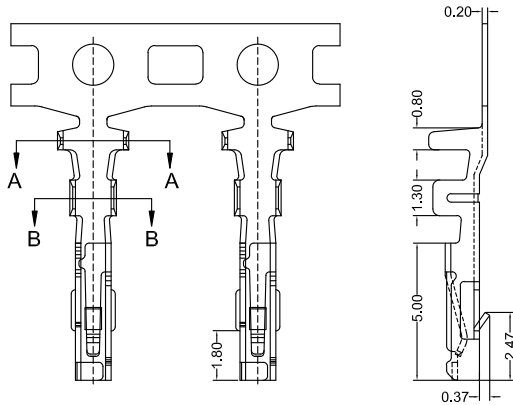
CSG

A2024 501646



A2024HF 2XX AK P6 8 001
 PIN 205=2X5PINS
 SPECIAL
 AK=BUCKLE
 Material P6=PA66 94V-0
 Code 001
 Color 8=Gray

| CSG PART NO. | Dimension mm | | | Q'ty/BAG |
|--------------------|--------------|-------|------|----------|
| | A | B | C | |
| A2024HF205AKP68001 | 8.00 | 10.60 | 5.10 | 1000PCS |
| A2024HF206AKP68001 | 10.00 | 12.60 | 6.80 | 1000PCS |
| A2024HF207AKP68001 | 12.00 | 14.60 | 6.80 | 1000PCS |
| A2024HF208AKP68001 | 14.00 | 16.60 | 6.80 | 1000PCS |
| A2024HF209AKP68001 | 16.00 | 18.60 | 6.80 | 1000PCS |
| A2024HF210AKP68001 | 18.00 | 20.60 | 6.80 | 1000PCS |
| A2024HF211AKP68001 | 20.00 | 22.60 | 6.80 | 1000PCS |
| A2024HF212AKP68001 | 22.00 | 24.60 | 6.80 | 1000PCS |
| A2024HF213AKP68001 | 24.00 | 26.60 | 6.80 | 1000PCS |
| A2024HF214AKP68001 | 26.00 | 28.60 | 6.80 | 1000PCS |
| A2024HF215AKP68001 | 28.00 | 30.60 | 6.80 | 1000PCS |
| A2024HF216AKP68001 | 30.00 | 32.60 | 6.80 | 1000PCS |
| A2024HF217AKP68001 | 32.00 | 34.60 | 6.80 | 1000PCS |
| A2024HF218AKP68001 | 34.00 | 36.60 | 6.80 | 1000PCS |
| A2024HF219AKP68001 | 36.00 | 38.60 | 6.80 | 1000PCS |
| A2024HF220AKP68001 | 38.00 | 40.60 | 6.80 | 1000PCS |



A2024 M 0 A TP 001
 Type M=Female Terminal
 Material A=Phosphor
 Finish TP=TlN-Plated
 Code 001

| CSG PART NO. | Wire Range | Insulation O.D. | Q'ty/Reel |
|---------------|------------|-----------------|-----------|
| A2024M0ATP001 | AWG#22-#28 | 1.40mm(max) | 10000PCS |



A2024 501646

