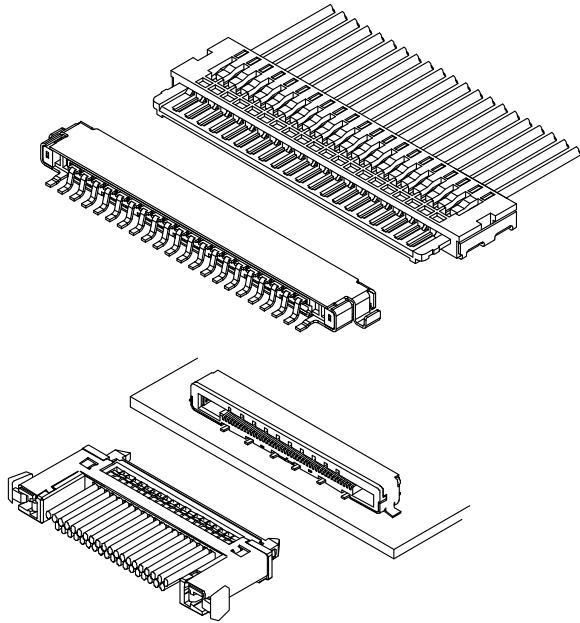


A1001 FI-X CONNECTOR

1.00mm Pitch/Disconnectable Crimp style connectors



- The LVDS crimp style connector. It is used to connect the display screen to the main board. Height of 1.65 mm
- Compact, low profile design.

 E529482

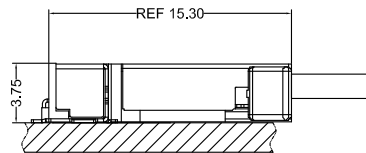
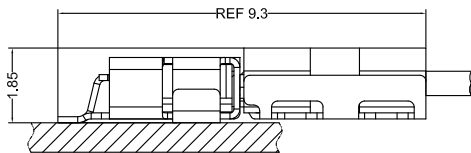
Specifications:

- Current rating: 1.0 A AC,DC (AWG #28)
- Voltage rating: 200 V AC/DC
- Temperature range: -40°C ~ +105°C
(including temperature rise in applying electrical current)
- Contact resistance: Initial value/ 40m Ω max
After environmental testing/ 40m Ω max
- Insulation resistance: 100 M Ω min
- Withstanding voltage: 500 VAC/minute
- Applicable wire: Conductor size/ AWG#36 to #28
Insulation O.D./ 0.3 to 0.5 mm

- * Compliant with RoHS2/ HF/ REACH
- * In using the products, refer to "Handling Precautions for Terminals and Connectors" described on our website (Technical documents of Product information page).
- * Contact CSG for details

Material:

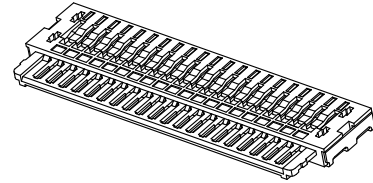
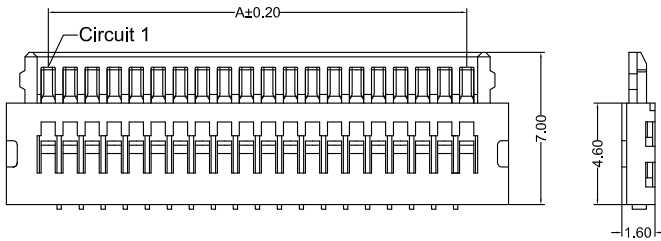
Housing: PA66, UL94-V0; Color: Natural/ Black
Terminal: Phosphor/ Gold-Plated
Wafer Housing: LCP, UL94-V0; Color: Gray/ Black
Wafer Pin: Phosphor/ Gold-plated/3U"/ 5U"
Wafer Shell: Brass/ Tin-plated



- Note: 1. The above figure is the figure viewed from the connector mounting side.
2. Tolerances are non-cumulative: ±0.08 mm for all centers.
3. The dimensions above should serve as a guideline. Contact CSG for details.

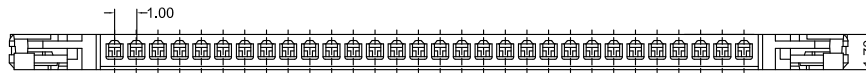
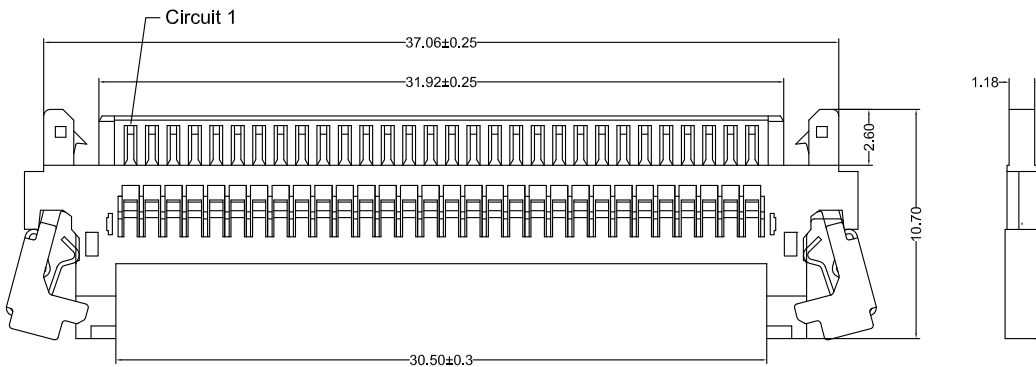
CSG

A1001 FI-X



A1001HF 0XX AA P6 A 001
 PIN
 002=2PINS
 SPECIAL
 AA=NO Special
 Material
 P6=PA66 94V-0
 Code
 001
 Color
 A=Natural

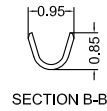
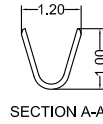
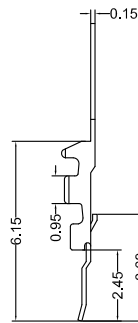
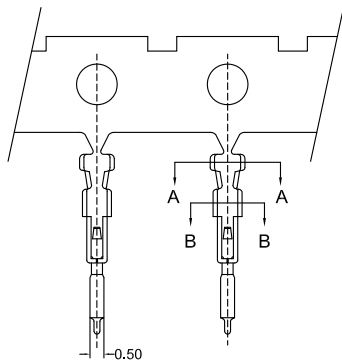
CSG PART NO.	Dimension mm		Q'ty/BAG
	A	B	
A1001HF020AAP4A001	19.00	23.30	1000PCS
A1001HF030AAP4A001	29.00	33.30	1000PCS



A1001HF 030 AJ P6 A 001
 PIN
 030=30PINS
 SPECIAL
 AJ=With hook
 Material
 P6=PA66 94V-0
 Code
 001
 Color
 A=Natural



A1001 FI-X



A1001 M 0 A TG 001

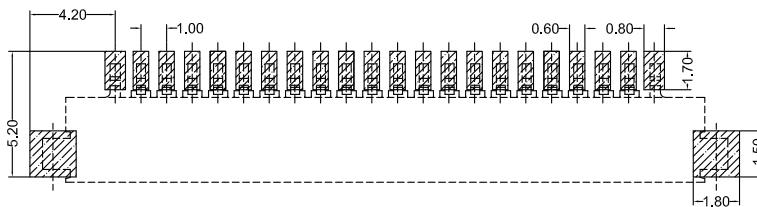
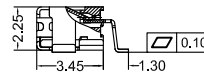
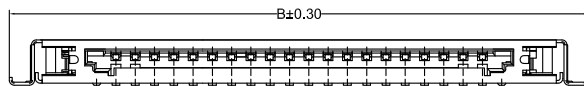
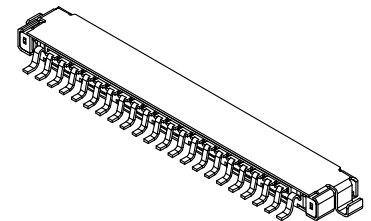
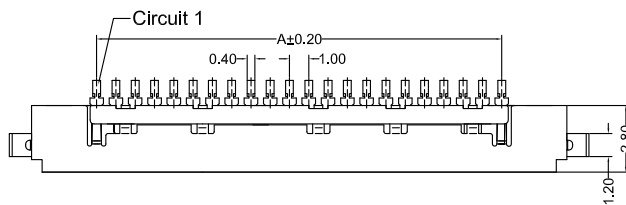
Type
M=Female Terminal

Material
A=Phosphor

Finish
TG=TIN+Gold-Plated

Code
001

CSG PART NO.	Wire Range	Insulation O.D.	Q'ty/Reel
A1001M0ATG001	AWG#28-#32	0.60mm(max)	25000PCS



Recommended P.C.B Layout
General Tolerance±0.05

A1001RS 020 AA LP GF B 8 001

PIN
020=20PINS

SPECIAL
AA=NO Special

Material
LP=LCP 94V-0

Finish
G1=Terminal Gold-3U"

Code
001

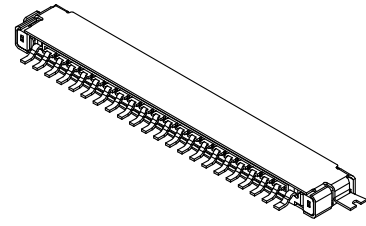
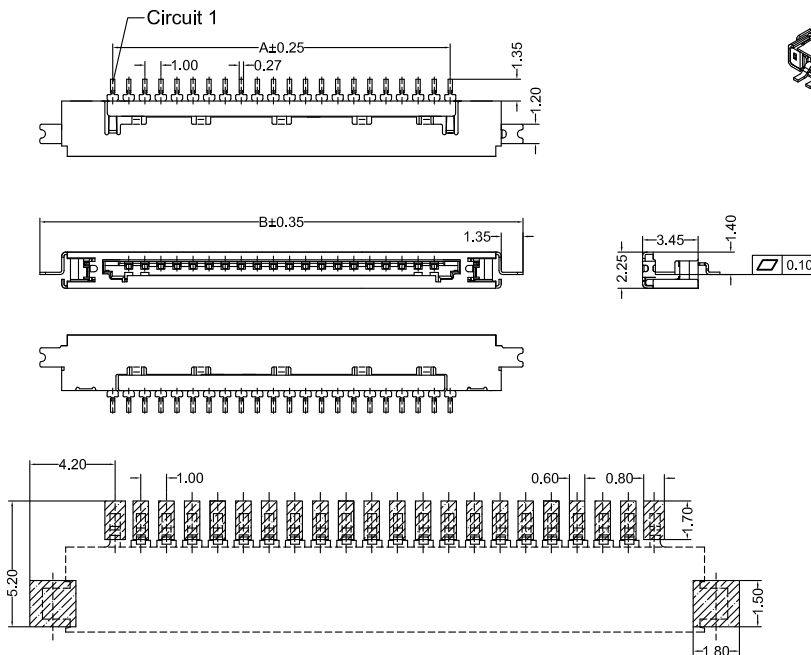
Color
8=Grye

Packing
B=Tape & Reel

CSG PART NO.	Dimension mm		Q'ty/Reel
	A	B	
A1001RS020AALPG1B8001	21.00	30.05	2600PCS
A1001RS030AALPG1B8001	31.00	40.05	2600PCS



A1001 FI-X

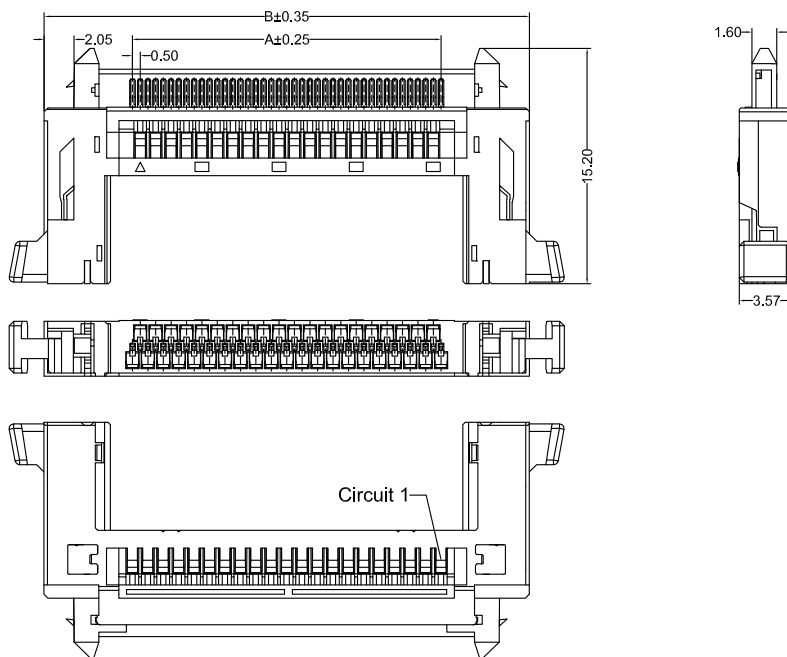


A1001RS_0XX CB LP G1 B 8 001

- PIN 020=20PINS
- SPECIAL CB=Sunken plate
- Material LP=LCP 94V-0
- Finish G1=Terminal Gold-3U*
- Code 001
- Color 8=Grye
- Packing B=Tape & Reel

Recommended P.C.B Layout
General Tolerance±0.05

CSG PART NO.	Dimension mm		Q'ty/Reel
	A	B	
A1001RS020CBLPG1B8001	19.00	30.05	2600PCS
A1001RS030CBLPG1B8001	29.00	40.05	2600PCS



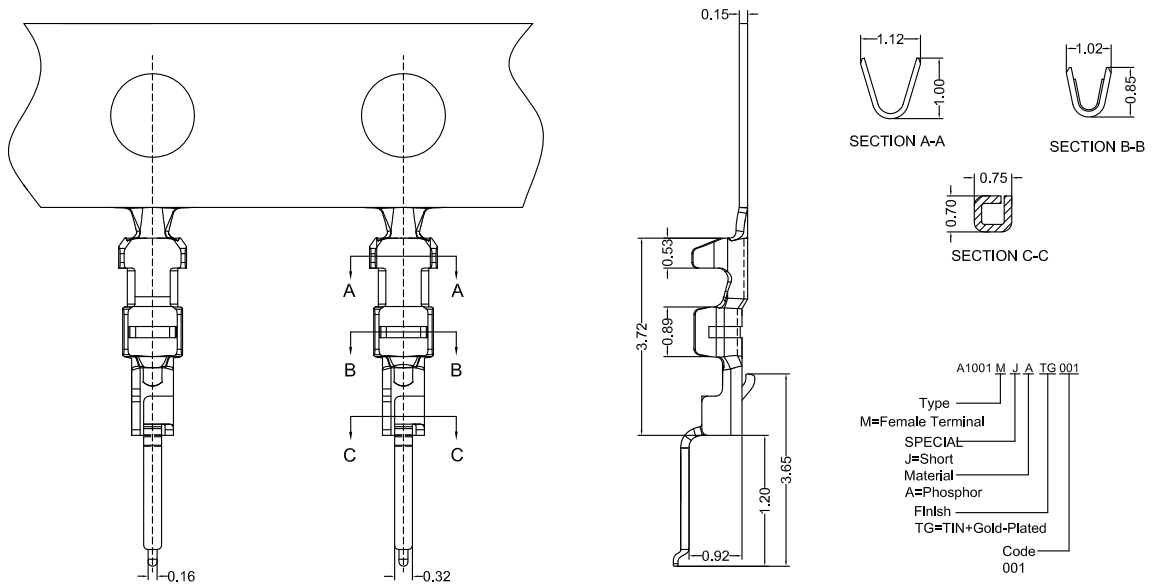
A1001HF_0XX AJ P6 0 001

- PIN 041=41PINS
- SPECIAL AJ=With hook
- Material P6=PA66 94V-0
- Code 001
- Color 0=Black

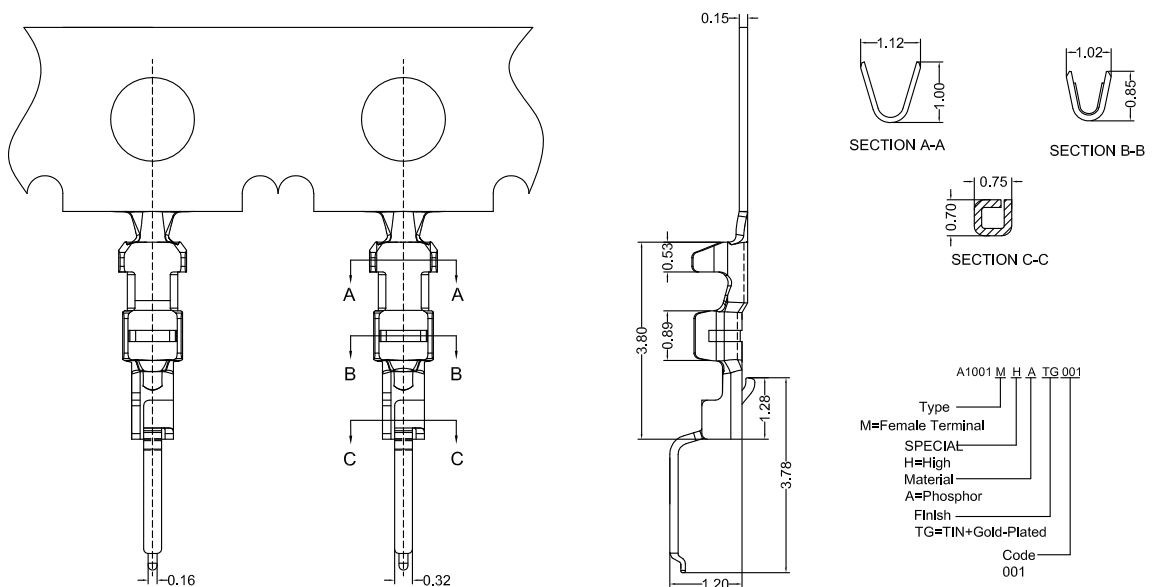
CSG PART NO.	Dimension mm		Q'ty/BAG
	A	B	
A1001HF041AJP60001	20.00	31.50	1000PCS
A1001HF051AJP60001	25.00	36.50	1000PCS



A1001 FI-X



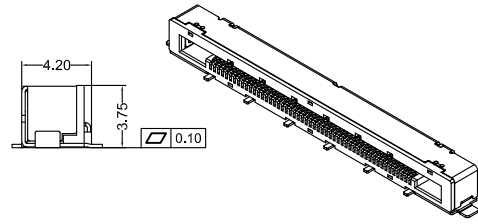
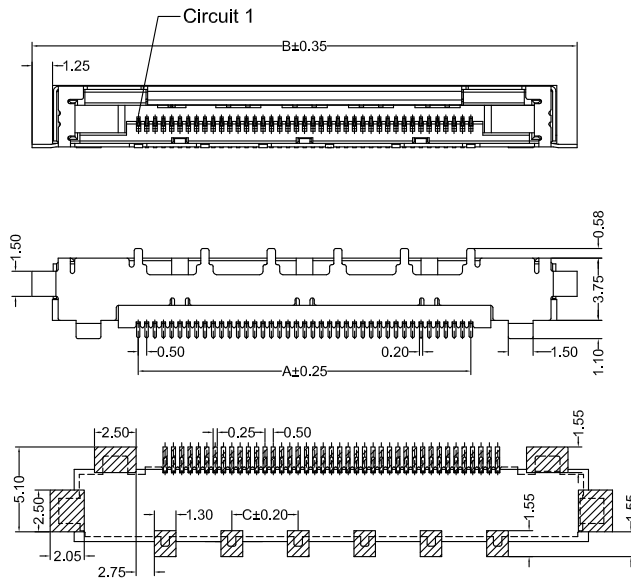
CSG PART NO.	Wire Range	Insulation O.D.	Q'ty/Reel
A1001MJATG001	AWG#28-#32	0.60mm(max)	20000PCS



CSG PART NO.	Wire Range	Insulation O.D.	Q'ty/Reel
A1001MHATG001	AWG#28-#32	0.60mm(max)	20000PCS



A1001 FI-X



A1001RS.0XX AA LP G5 B 0 001

- PIN
- 041=41PINS
- SPECIAL
- AA=NO Special
- Material
- LP=LCP 94V-0
- Finish
- G5=Terminal Gold-5U*

- Code
- 001
- Color
- 0=Black
- Packing
- B=Tape & Reel

Recommended P.C.B Layout
General Tolerance±0.05

CSG PART NO.	Dimension mm			Q'ty/Reel
	A	B	C	
A1001RS041AALPG5B0001	20.00	32.85	4.00	1000PCS
A1001RS051AALPG5B0001	25.00	37.85	5.00	1000PCS

