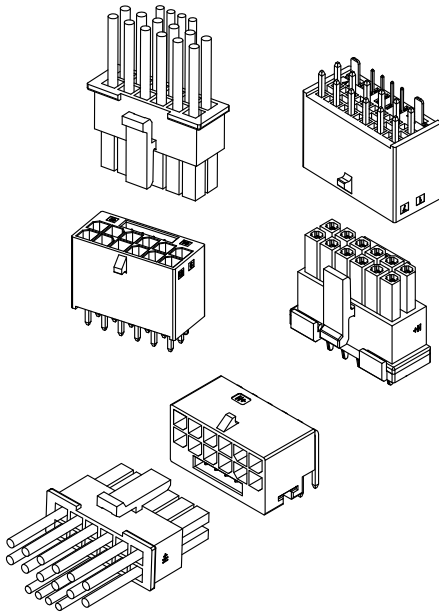


C3001 12+4 CONNECTOR

3.00mm Pitch/Disconnectable Crimp style connectors



CSG E529482

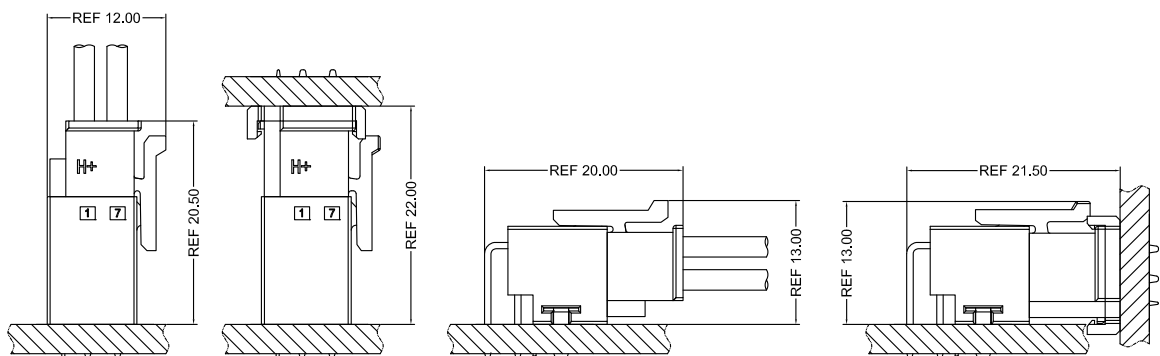
- Secure locking structure
- Low insertion force
- Suction area for picking up
- Improvement of engagement with prying

Specifications:

- Current rating: 9.20 A / AC,DC (AWG #16)
- Voltage rating: 600 V AC/DC
- Temperature range: -25°C ~ +105°C
(including temperature rise in applying electrical current)
- Contact resistance: Initial value/ 20m Ω max
Insulation resistance: 1000 MΩ min
Withstanding voltage: 1500 VAC/minute
Applicable wire: Conductor size/ AWG#18~#16
Insulation O.D./ 1.85 to 2.20 mm
- * Compliant with RoHS2/ REACH
- * Refer to "General Instruction and Notice when using Terminals and Connectors"
- * Contact CSG for details

Material:

Housing: PA66/UL94-V0;Color:Black
Terminal: Phosphor/ C1100/ Gold-Plated/ Tin-plated
DIP Wafer Housing: PA9T,UL94-V0;Color:Black
DIP Wafer Pin: Brass/ C1100 Tin-plated/ Gold-Plated
DIP Wafer Fixed Foot: Brass/ Tin-plated

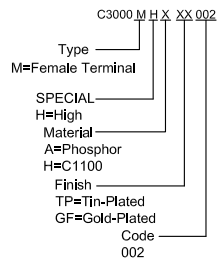
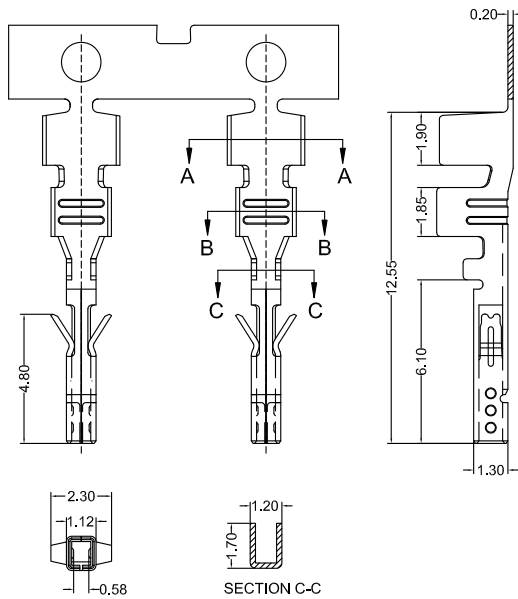
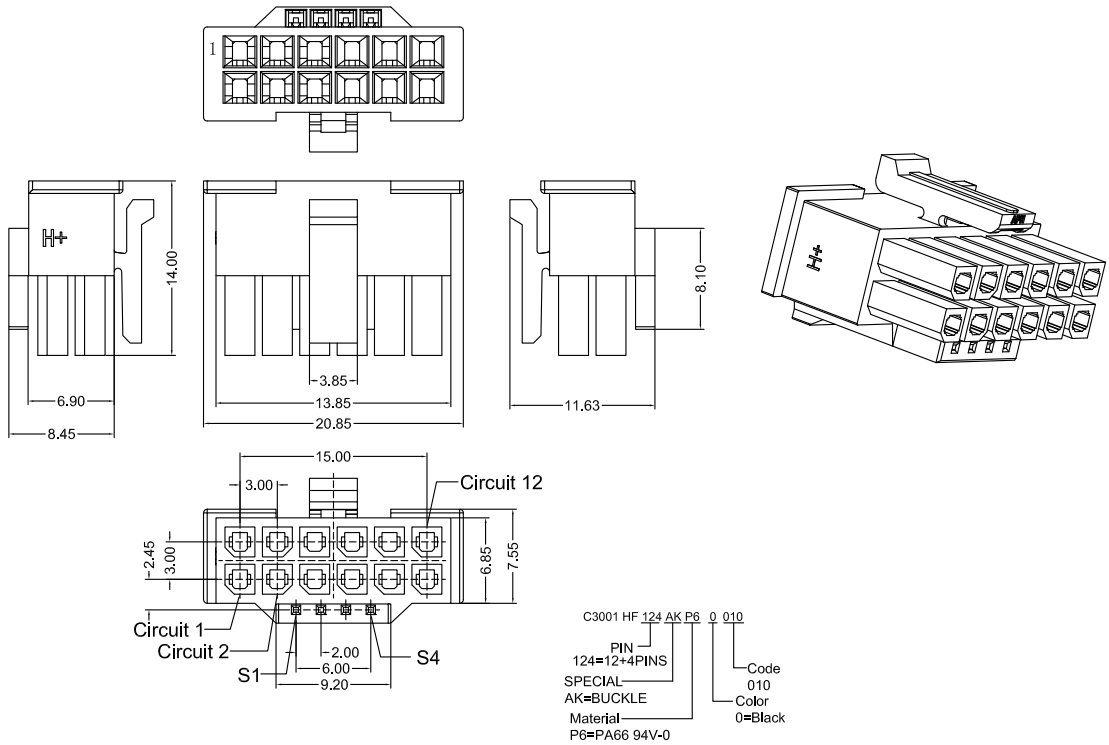


- Note: 1. The above figure is the figure viewed from the connector mounting side.
2. Tolerances are non-cumulative: ± 0.08 mm for all centers.
3. The dimensions above should serve as a guideline. Contact CSG for details.

CSG

Tel:+86-769-85312070 85375507 E-mail:James@csg-china.com www.csg-china.com

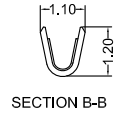
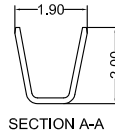
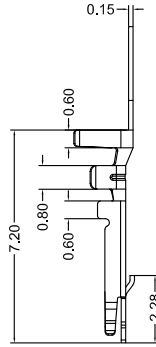
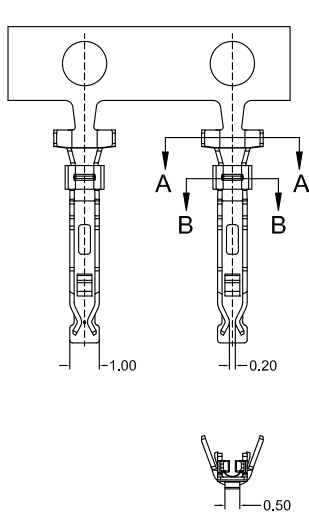
C3001 12+4



CSG PART NO.	Wire Range	Insulation O.D.	Qty/Reel
C3000MHXTP002	AWG#16-#20	2.05mm(max)	10000PCS
C3000MHXGF002	AWG#16-#20	2.05mm(max)	10000PCS



C3001 12+4



C3001 M O A XX 002

Type
M=Female Terminal

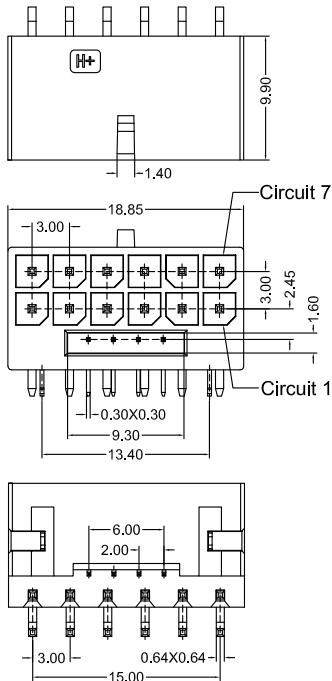
SPECIAL
O=NO Special

Material
A=Phosphor

Finish
TP=Tin-Plated
GF=Gold-Plated G/F

Code
002

CSG PART NO.	Wire Range	Insulation O.D.	Qty/Reel
C3001M0ATP002	AWG#28-#30	0.95mm(max)	15000PCS
C3001M0AGF002	AWG#28-#30	0.95mm(max)	15000PCS



C3001RD 124 AA 9T XX B 0 010

PIN
124=12+4PINS

SPECIAL
AA=NO Special

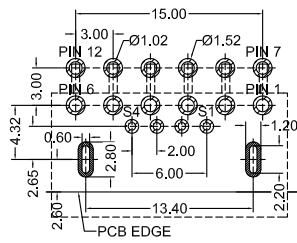
Material
9T=PA9T 94V-0

Finish
TP=Tin-Plated
GF=Gold-Plated

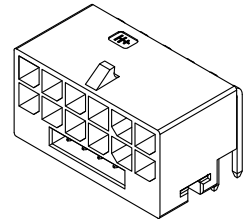
Code
010

Color
0=Black

Packing
B=Reel Packing



Recommended P.C.B Layout
General Tolerance ± 0.05



C3001 12+4

