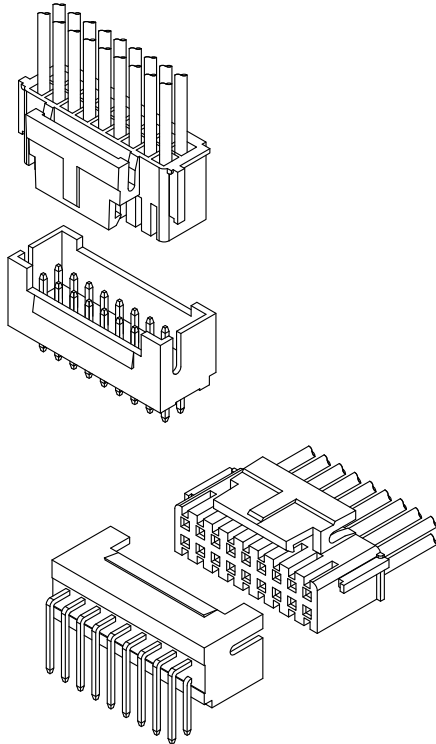


A2023 PHB CONNECTOR

2.00mm Pitch/Disconnectable Crimp style connectors



Specifications:

- Current rating: 3 A AC,DC (AWG #22)
- Voltage rating: 250 V AC/DC
- Temperature range: -25°C ~ +105°C
(including temperature rise in applying electrical current)
- Contact resistance: Initial value/ 10m Ω max
After environmental testing/ 20m Ω max
- Insulation resistance: 1000 M Ω min
- Withstanding voltage: 800 VAC/minute
- Applicable wire: Conductor size/ AWG#28~#22
Insulation O.D./ 0.76 to 1.50 mm

- * Compliant with RoHS2/ REACH
- * Refer to "General Instruction and Notice when using Terminals and Connectors"
- * Contact CSG for details

Material:

Housing: PA66/UL94-V0;Color:White

Terminal: Phosphor/ Tin-plated

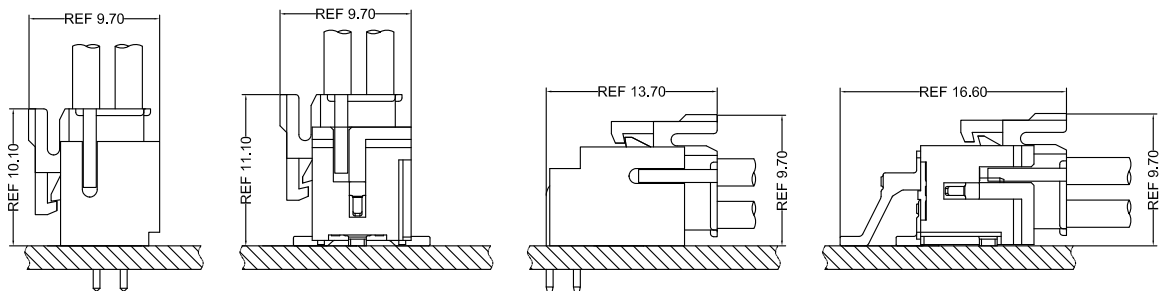
DIP Wafer Housing: PA46/66,UL94-V0;Color:Natural/Gray

DIP Pin: Brass/ Tin-plated

SMT Wafer Housing: LCP,UL94-V0;Color:Natural

SMT Wafer Pin: Brass/ Tin-plated

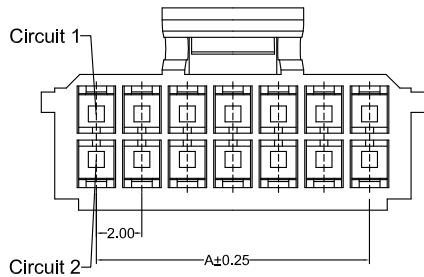
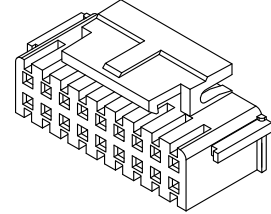
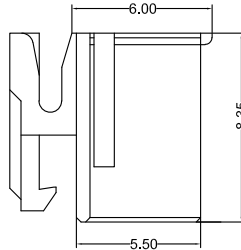
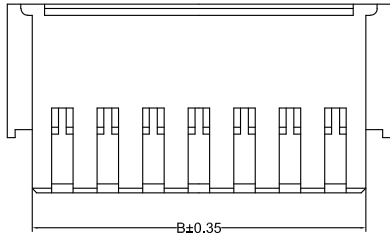
SMT Wafer Fixed Foot: Brass/ Tin-plated



- Note: 1. The above figure is the figure viewed from the connector mounting side.
2. Tolerances are non-cumulative: ± 0.08 mm for all centers.
3. The dimensions above should serve as a guideline. Contact CSG for details.

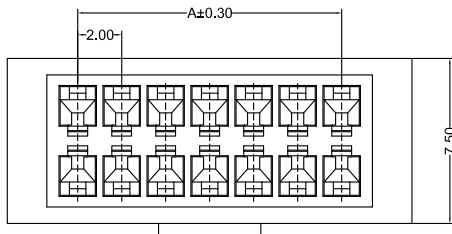
CSG

A2023 PHB

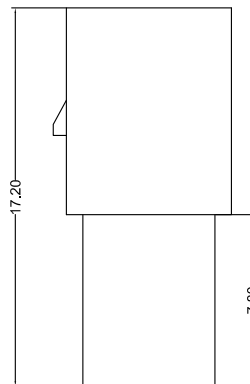
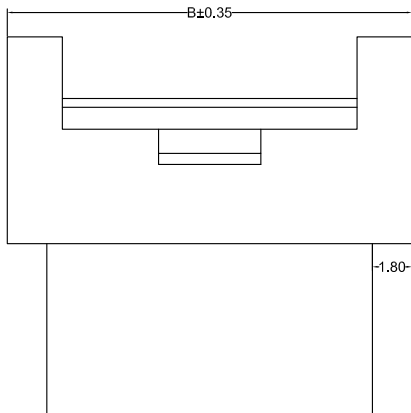
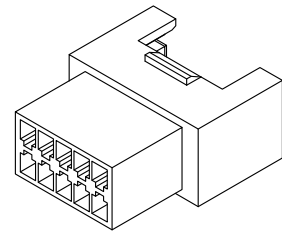


A2023HF 2XX AK P6 9 XXX
 PIN
 205=2X5PINS
 SPECIAL
 AK=BUCKLE
 Material
 P6=PA66 94V-0
 Code
 001
 005
 Color
 9=White

CSG PART NO.	Dimension mm		Q'ty/BAG
	A	B	
A2023HF202AKP69XXX	2.00	4.60	1000PCS
A2023HF203AKP69XXX	4.00	6.60	1000PCS
A2023HF204AKP69XXX	6.00	8.60	1000PCS
A2023HF205AKP69XXX	8.00	10.60	1000PCS
A2023HF206AKP69XXX	10.00	12.60	1000PCS
A2023HF207AKP69XXX	12.00	14.60	1000PCS
A2023HF208AKP69XXX	14.00	16.60	1000PCS
A2023HF209AKP69XXX	16.00	18.60	1000PCS
A2023HF210AKP69XXX	18.00	20.60	1000PCS
A2023HF211AKP69XXX	20.00	22.60	1000PCS
A2023HF212AKP69XXX	22.00	24.60	1000PCS
A2023HF213AKP69XXX	24.00	26.60	1000PCS
A2023HF214AKP69XXX	26.00	28.60	1000PCS
A2023HF215AKP69XXX	28.00	30.60	1000PCS
A2023HF216AKP69XXX	30.00	32.60	1000PCS
A2023HF217AKP69XXX	32.00	34.60	1000PCS
A2023HF218AKP69XXX	34.00	36.60	1000PCS
A2023HF219AKP69XXX	36.00	38.60	1000PCS
A2023HF220AKP69XXX	38.00	40.60	1000PCS



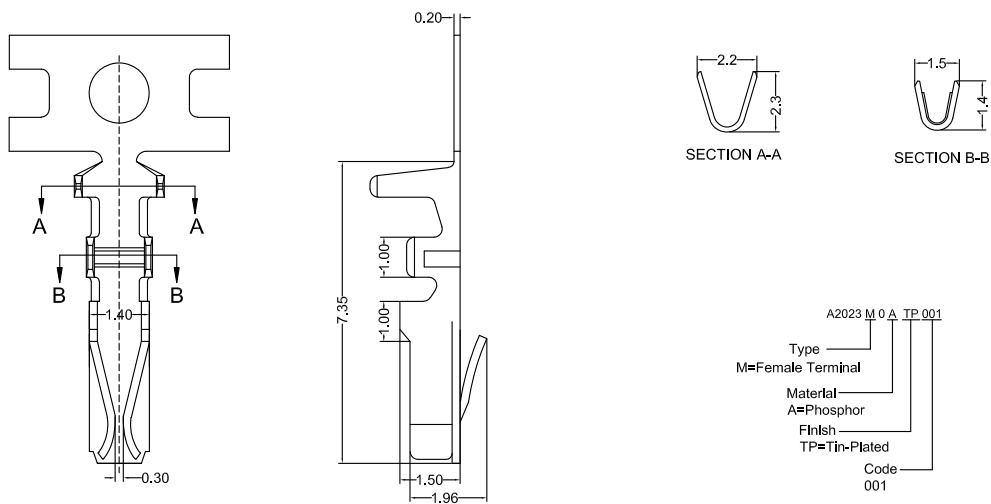
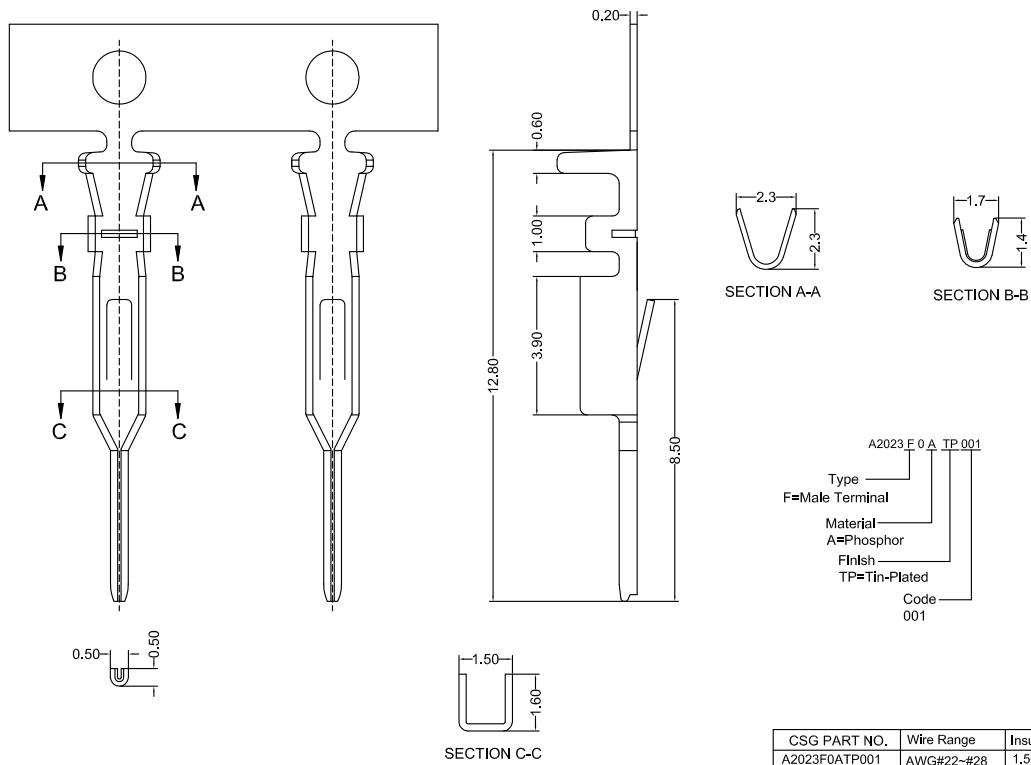
A2023HM 2XX AA P6 9 005
 PIN
 205=2X5PINS
 SPECIAL
 AA=NO Special
 Material
 P6=PA66 94V-0
 Code
 005
 Color
 9=White



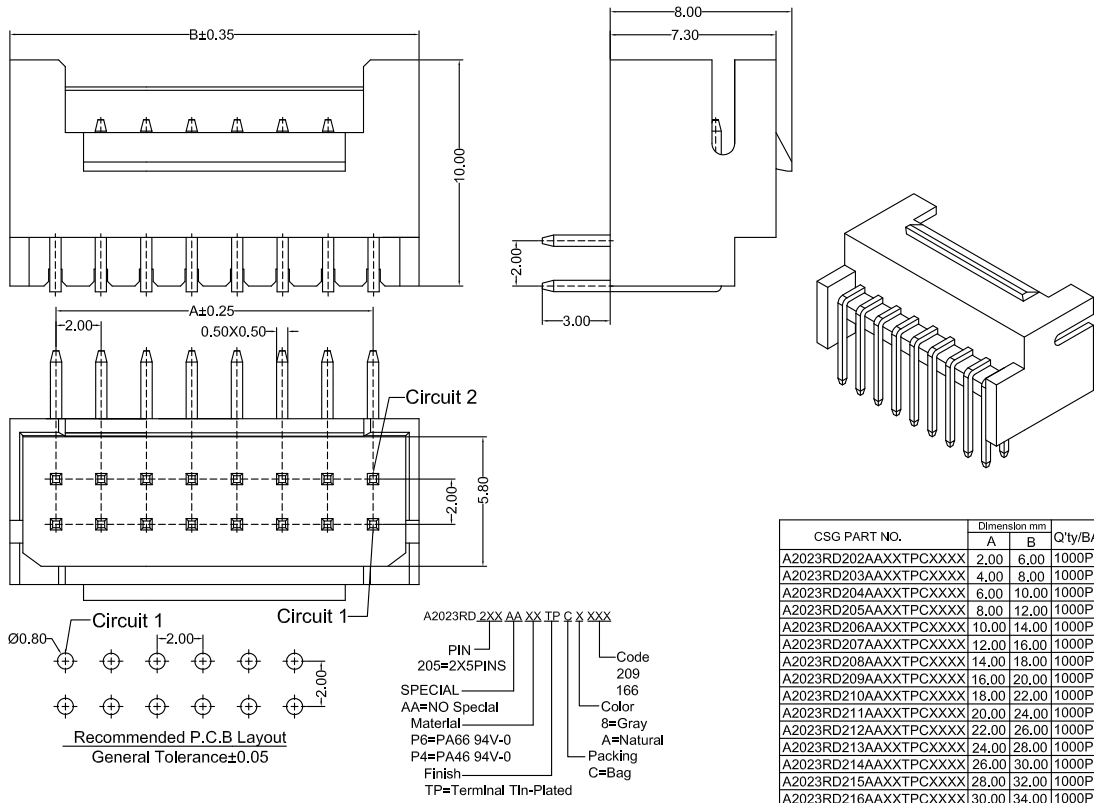
CSG PART NO.	Dimension mm		Q'ty/BAG
	A	B	
A2023HM202AAP69005	2.00	8.40	1000PCS
A2023HM203AAP69005	4.00	10.40	1000PCS
A2023HM204AAP69005	6.00	12.40	1000PCS
A2023HM205AAP69005	8.00	14.40	1000PCS
A2023HM206AAP69005	10.00	16.40	1000PCS
A2023HM207AAP69005	12.00	18.40	1000PCS
A2023HM208AAP69005	14.00	20.40	1000PCS
A2023HM209AAP69005	16.00	22.40	1000PCS
A2023HM210AAP69005	18.00	24.40	1000PCS
A2023HM212AAP69005	20.00	26.64	1000PCS
A2023HM212AAP69005	22.00	28.40	1000PCS
A2023HM213AAP69005	24.00	30.60	1000PCS
A2023HM214AAP69005	26.00	32.40	1000PCS
A2023HM215AAP69005	28.00	34.40	1000PCS
A2023HM218AAP69005	32.00	40.40	1000PCS



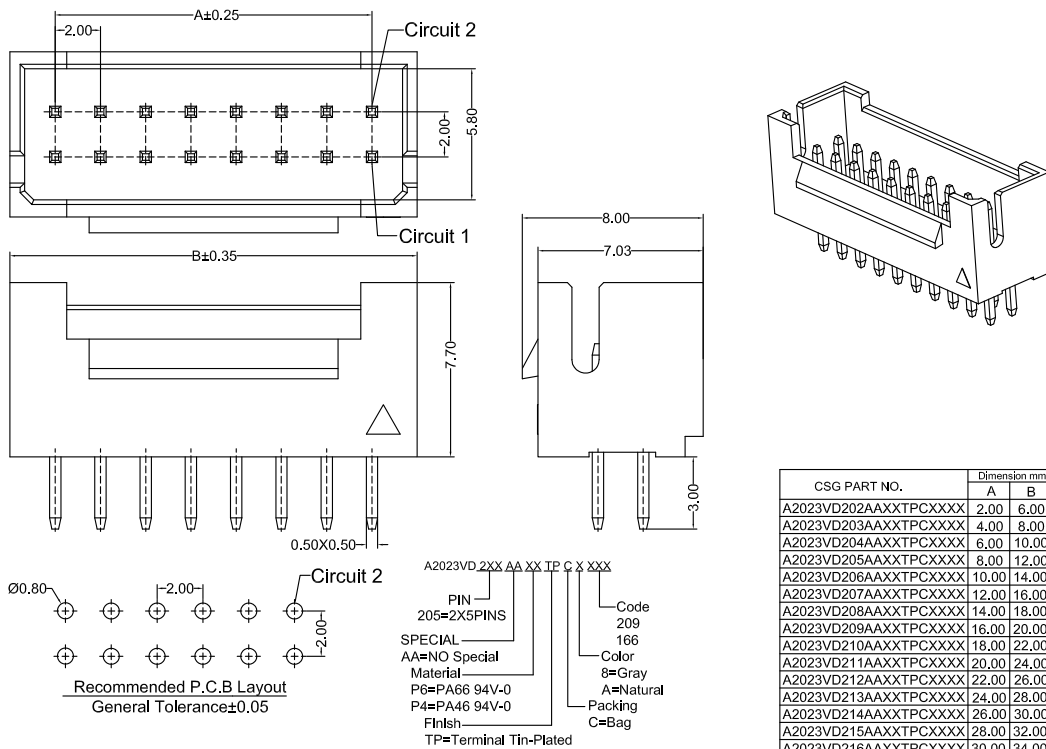
A2023 PHB



A2023 PHB



CSG PART NO.	Dimension mm		Q'ty/BAG
	A	B	
A2023RD202AAXXTPCXXXX	2.00	6.00	1000PCS
A2023RD203AAXXTPCXXXX	4.00	8.00	1000PCS
A2023RD204AAXXTPCXXXX	6.00	10.00	1000PCS
A2023RD205AAXXTPCXXXX	8.00	12.00	1000PCS
A2023RD206AAXXTPCXXXX	10.00	14.00	1000PCS
A2023RD207AAXXTPCXXXX	12.00	16.00	1000PCS
A2023RD208AAXXTPCXXXX	14.00	18.00	1000PCS
A2023RD209AAXXTPCXXXX	16.00	20.00	1000PCS
A2023RD210AAXXTPCXXXX	18.00	22.00	1000PCS
A2023RD211AAXXTPCXXXX	20.00	24.00	1000PCS
A2023RD212AAXXTPCXXXX	22.00	26.00	1000PCS
A2023RD213AAXXTPCXXXX	24.00	28.00	1000PCS
A2023RD214AAXXTPCXXXX	26.00	30.00	1000PCS
A2023RD215AAXXTPCXXXX	28.00	32.00	1000PCS
A2023RD216AAXXTPCXXXX	30.00	34.00	1000PCS



CSG PART NO.	Dimension mm		Q'ty/BAG
	A	B	
A2023VD202AAXXTPCXXXX	2.00	6.00	1000PCS
A2023VD203AAXXTPCXXXX	4.00	8.00	1000PCS
A2023VD204AAXXTPCXXXX	6.00	10.00	1000PCS
A2023VD205AAXXTPCXXXX	8.00	12.00	1000PCS
A2023VD206AAXXTPCXXXX	10.00	14.00	1000PCS
A2023VD207AAXXTPCXXXX	12.00	16.00	1000PCS
A2023VD208AAXXTPCXXXX	14.00	18.00	1000PCS
A2023VD209AAXXTPCXXXX	16.00	20.00	1000PCS
A2023VD210AAXXTPCXXXX	18.00	22.00	1000PCS
A2023VD211AAXXTPCXXXX	20.00	24.00	1000PCS
A2023VD212AAXXTPCXXXX	22.00	26.00	1000PCS
A2023VD213AAXXTPCXXXX	24.00	28.00	1000PCS
A2023VD214AAXXTPCXXXX	26.00	30.00	1000PCS
A2023VD215AAXXTPCXXXX	28.00	32.00	1000PCS
A2023VD216AAXXTPCXXXX	30.00	34.00	1000PCS



A2023 PHB

