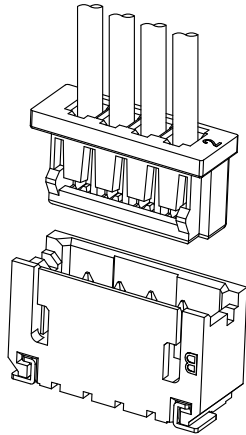


A2016 55460 CONNECTOR

2.00mm Pitch/Disconnectable Crimp style connectors



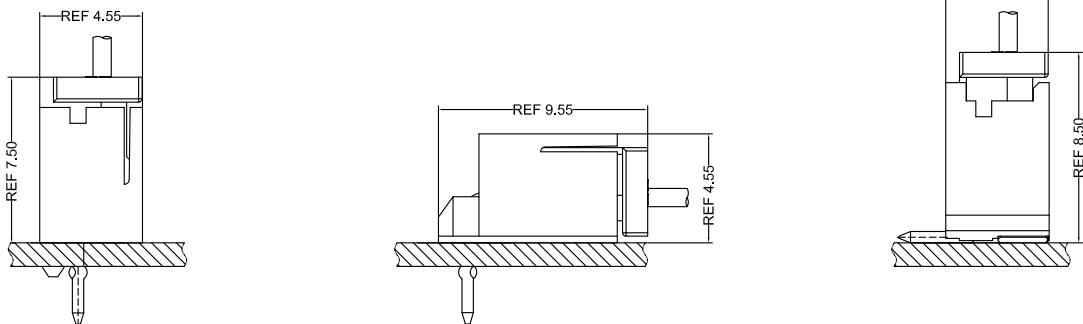
- Secure locking structure
- Low insertion force
- Suction area for picking up
- Improvement of engagement with prying

Specifications: _____

- Current rating: 2.0 A / AC,DC (AWG #24)
- Voltage rating: 125 V AC/DC
- Temperature range: -40°C ~ +105°C
(including temperature rise in applying electrical current)
- Contact resistance: Initial value/ 30m Ω max
Insulation resistance: 1000 MΩ min
Withstanding voltage: 1000 VAC/minute
Applicable wire: Conductor size/ AWG#28~#24
Insulation O.D./ 0.80 to 1.40 mm
- * Compliant with RoHS2/ HF/ REACH
- * Refer to "General Instruction and Notice when using Terminals and Connectors"
- * Contact CSG for details

Material: _____

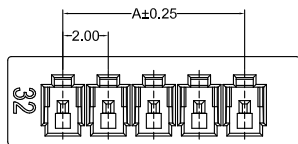
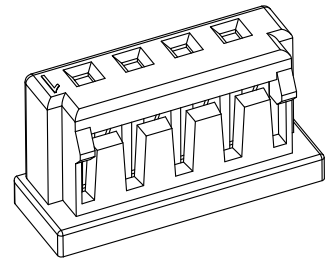
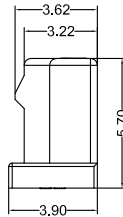
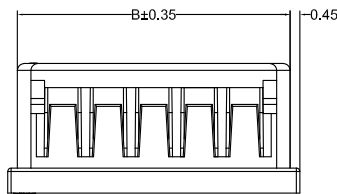
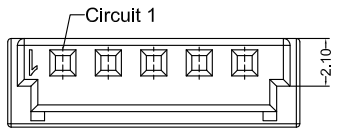
Housing: PA66/UL94-V0;Color:White
Terminal: Phosphor/ Tin-plated
DIP Wafer Housing: PBT,UL94-V0;Color:White
DIP Wafer Pin: Brass/ Tin-plated
SMT Wafer Housing: PA6T,UL94-V0;Color:Beige
SMT Wafer Pin: Brass/ Tin-plated
SMT Wafer Fixed Foot: Brass/ Tin-plated



- Note: 1. The above figure is the figure viewed from the connector mounting side.
2. Tolerances are non-cumulative: ± 0.08 mm for all centers.
3. The dimensions above should serve as a guideline. Contact CSG for details.

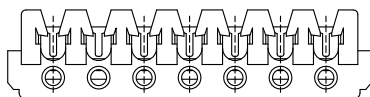
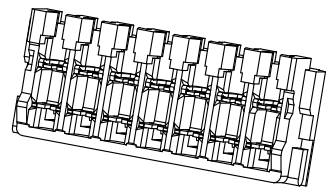
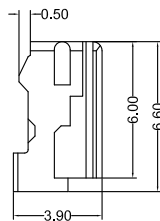
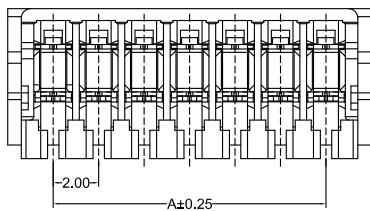
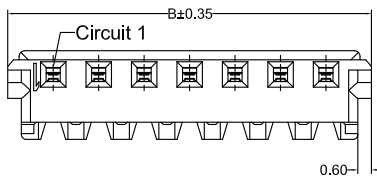
CSG

A2016 55460



A2016HF 0XX AA P6 9 079
 PIN
 005=5PINS
 SPECIAL
 AA=NO Special
 Material
 P6=PA66 94V-0
 Code
 079
 Color
 9=White

CSG PART NO.	Dimension mm		Q'ty/BAG
	A	B	
A2016HF002AAP69079	2.00	6.00	1000PCS
A2016HF003AAP69079	4.00	8.00	1000PCS
A2016HF004AAP69079	6.00	10.00	1000PCS
A2016HF005AAP69079	8.00	12.00	1000PCS
A2016HF006AAP69079	10.00	14.00	1000PCS
A2016HF007AAP69079	12.00	16.00	1000PCS
A2016HF008AAP69079	14.00	18.00	1000PCS
A2016HF009AAP69079	16.00	20.00	1000PCS
A2016HF010AAP69079	18.00	22.00	1000PCS
A2016HF011AAP69079	20.00	24.00	1000PCS
A2016HF012AAP69079	22.00	26.00	1000PCS
A2016HF013AAP69079	24.00	28.00	1000PCS
A2016HF014AAP69079	26.00	30.00	1000PCS
A2016HF015AAP69079	28.00	32.00	1000PCS

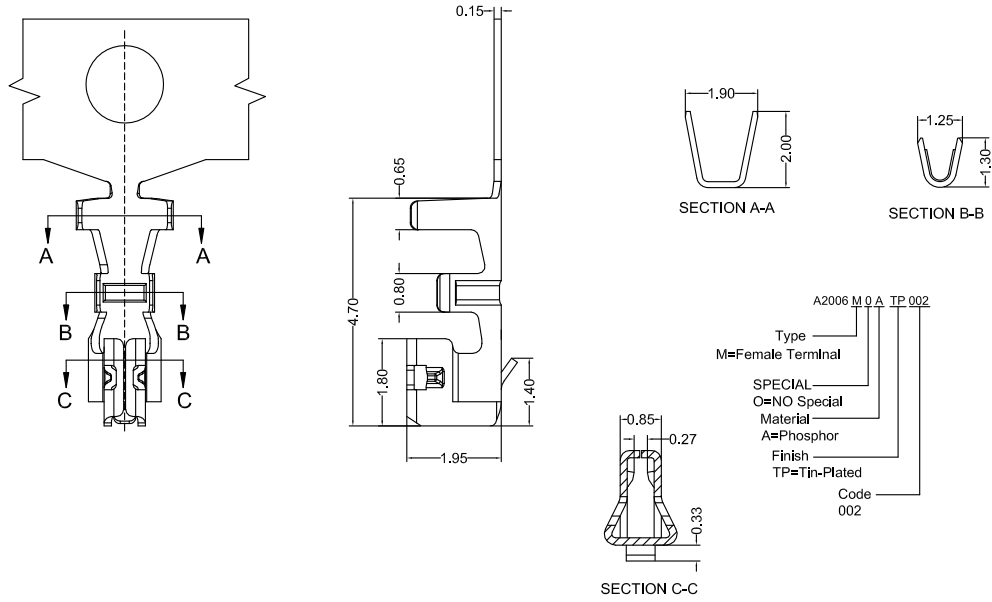


A2016HI 0XX AA P6 TP C 9 016
 PIN
 005=5PINS
 SPECIAL
 AA=NO Special
 Material
 P6=PA66 94V-0
 Finish
 TP=Terminal Tin-Plated
 Code
 016
 Color
 8=Grey
 Packing
 C=Bag

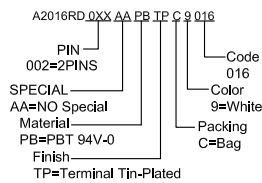
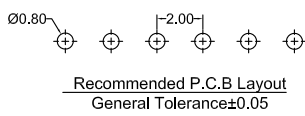
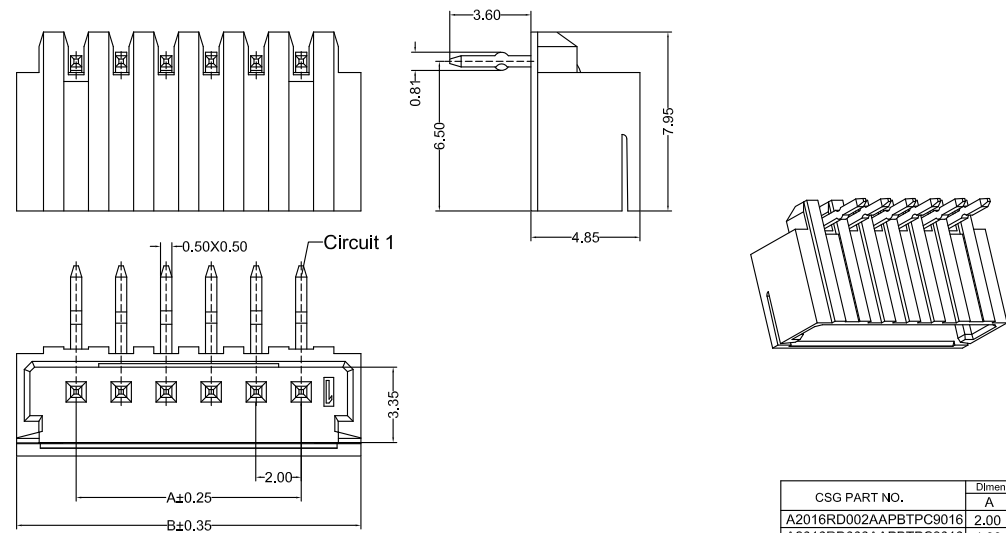
CSG PART NO.	Dimension mm		Q'ty/BAG
	A	B	
A2016HI002AAP6TPC8016	2.00	6.00	1000PCS
A2016HI003AAP6TPC8016	4.00	8.00	1000PCS
A2016HI004AAP6TPC8016	6.00	10.00	1000PCS
A2016HI005AAP6TPC8016	8.00	12.00	1000PCS
A2016HI006AAP6TPC8016	10.00	14.00	1000PCS
A2016HI007AAP6TPC8016	12.00	16.00	1000PCS
A2016HI008AAP6TPC8016	14.00	18.00	1000PCS
A2016HI009AAP6TPC8016	16.00	20.00	1000PCS
A2016HI010AAP6TPC8016	18.00	22.00	1000PCS
A2016HI011AAP6TPC8016	20.00	24.00	1000PCS
A2016HI012AAP6TPC8016	22.00	26.00	1000PCS
A2016HI013AAP6TPC8016	24.00	28.00	1000PCS
A2016HI014AAP6TPC8016	26.00	30.00	1000PCS
A2016HI015AAP6TPC8016	28.00	32.00	1000PCS



A2016 55460



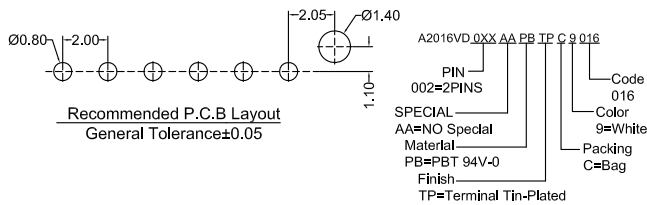
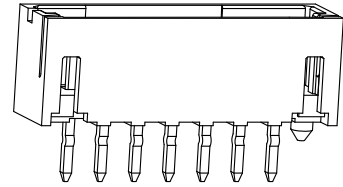
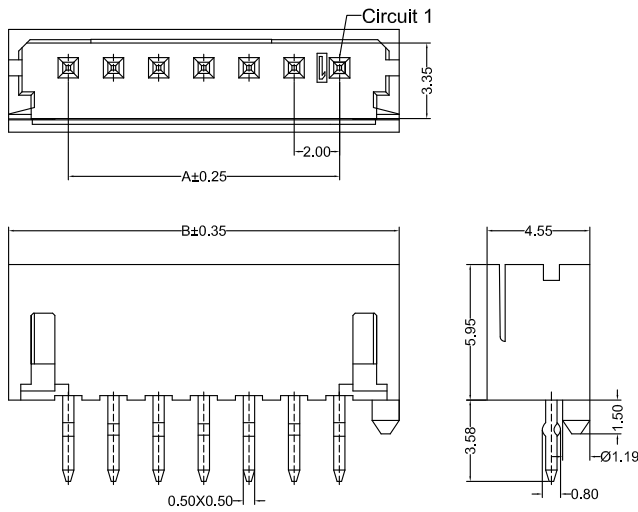
CSG PART NO.	Wire Range	Insulation O.D.	Q'ty/Reel
A2006M0ATP002	AWG#24-#26	1.40mm(max)	10000PCS



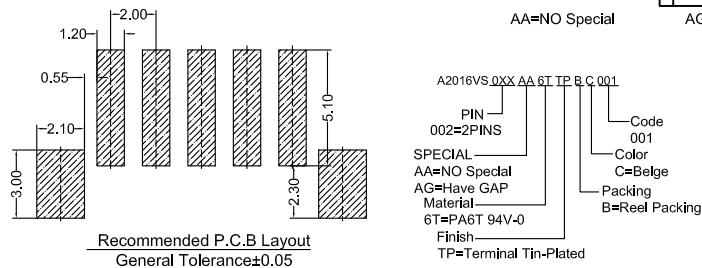
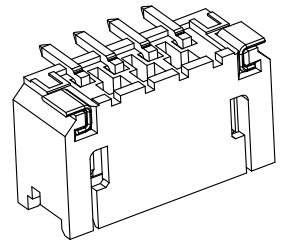
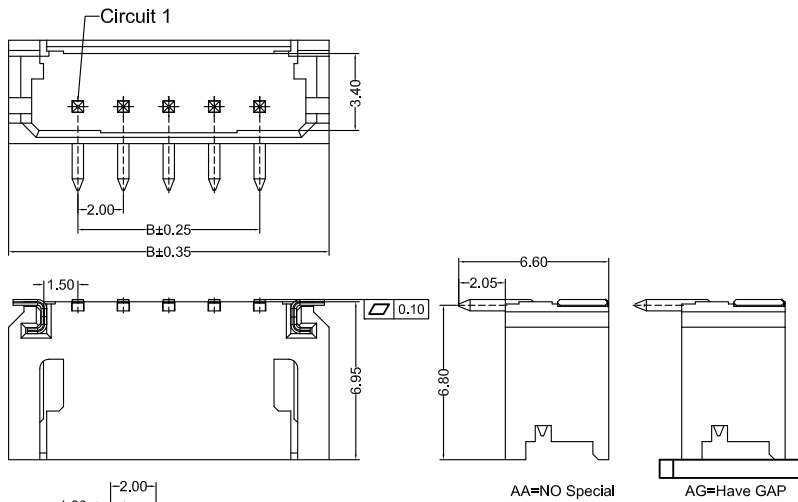
CSG PART NO.	Dimension mm		Q'ty/BAG
	A	B	
A2016RD002AAPBTPC9016	2.00	7.30	1000PCS
A2016RD003AAPBTPC9016	4.00	9.30	1000PCS
A2016RD004AAPBTPC9016	6.00	11.30	1000PCS
A2016RD005AAPBTPC9016	8.00	13.30	1000PCS
A2016RD006AAPBTPC9016	10.00	15.30	1000PCS
A2016RD007AAPBTPC9016	12.00	17.30	1000PCS
A2016RD008AAPBTPC9016	14.00	19.30	1000PCS
A2016RD009AAPBTPC9016	16.00	21.30	1000PCS
A2016RD010AAPBTPC9016	18.00	23.30	1000PCS
A2016RD011AAPBTPC9016	20.00	25.30	1000PCS
A2016RD012AAPBTPC9016	22.00	27.30	1000PCS
A2016RD013AAPBTPC9016	24.00	29.30	1000PCS
A2016RD014AAPBTPC9016	26.00	31.30	1000PCS
A2016RD015AAPBTPC9016	28.00	33.30	1000PCS



A2016 55460



CSG PART NO.	Dimension mm		Q'ty/BAG
	A	B	
A2016VD002AAPBTPC9016	2.00	7.30	1000PCS
A2016VD003AAPBTPC9016	4.00	9.30	1000PCS
A2016VD004AAPBTPC9016	6.00	11.30	1000PCS
A2016VD005AAPBTPC9016	8.00	13.30	1000PCS
A2016VD006AAPBTPC9016	10.00	15.30	1000PCS
A2016VD007AAPBTPC9016	12.00	17.30	1000PCS
A2016VD008AAPBTPC9016	14.00	19.30	1000PCS
A2016VD009AAPBTPC9016	16.00	21.30	1000PCS
A2016VD010AAPBTPC9016	18.00	23.30	1000PCS
A2016VD011AAPBTPC9016	20.00	25.30	1000PCS
A2016VD012AAPBTPC9016	22.00	27.30	1000PCS
A2016VD013AAPBTPC9016	24.00	29.30	1000PCS
A2016VD014AAPBTPC9016	26.00	31.30	1000PCS
A2016VD015AAPBTPC9016	28.00	33.30	1000PCS



CSG PART NO.	Dimension mm		Q'ty/Reel
	A	B	
A2016VS002AX6TTPBC001	2.00	8.10	900PCS
A2016VS003AX6TTPBC001	4.00	10.10	900PCS
A2016VS004AX6TTPBC001	6.00	12.10	900PCS
A2016VS005AX6TTPBC001	8.00	14.10	900PCS
A2016VS006AX6TTPBC001	10.00	16.10	900PCS
A2016VS007AX6TTPBC001	12.00	18.10	900PCS
A2016VS008AX6TTPBC001	14.00	20.10	900PCS
A2016VS009AX6TTPBC001	16.00	22.10	900PCS
A2016VS010AX6TTPBC001	18.00	24.10	900PCS
A2016VS011AX6TTPBC001	20.00	26.10	900PCS
A2016VS012AX6TTPBC001	22.00	28.10	900PCS
A2016VS013AX6TTPBC001	24.00	30.10	900PCS
A2016VS014AX6TTPBC001	26.00	32.10	900PCS
A2016VS015AX6TTPBC001	28.00	34.10	900PCS

