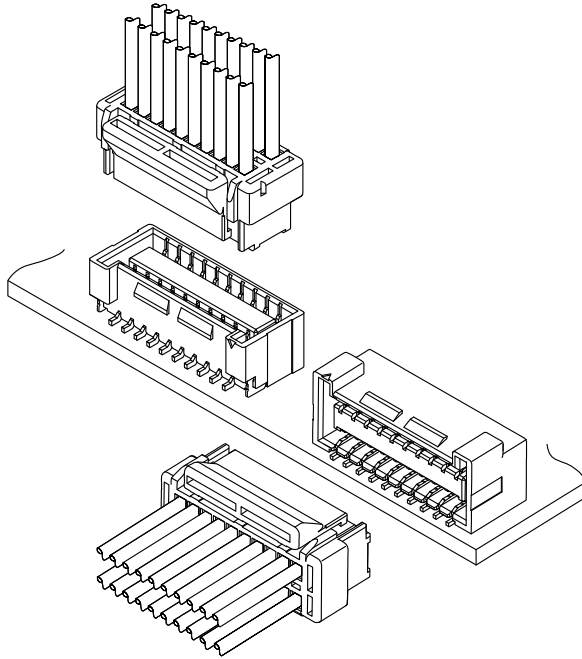


A1259 GHD CONNECTOR

1.50mm Pitch/Disconnectable Crimp style connectors



To meet the requirement of the high density mounting on PC board of flat panel TV, AV equipments etc., this connector is designed to the double-row type of 1.25mm pitch. Its operability is very well, in spite of the small size.



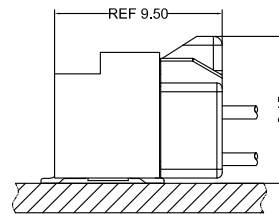
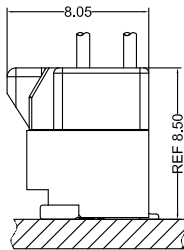
- Secure lock device
- Low insertion force
- Prevention of contact deformation
- Suction area for picking up

Specifications:

- Current rating: 1.0 A / AC,DC (AWG #26)
 - Voltage rating: 50 V AC/DC
 - Temperature range: -25°C ~ +105°C
(including temperature rise in applying electrical current)
 - Contact resistance:
 - Initial value/Top entry type: 30 mΩ max.
 - Side entry type: 50 mΩ max
 - After environmental tests/ Top entry type: 50 mΩ max.
 - Side entry type: 70 mΩ max
 - Insulation resistance: 100 MΩ min
 - Withstanding voltage: 500 VAC/minute
 - Applicable wire: Conductor size/ AWG#32~#26
Insulation O.D./ 0.40 to 1.00 mm
- * Compliant with RoHS2/ HF/ REACH
* Refer to "General Instruction and Notice when using Terminals and Connectors"
* Contact CSG for details

Material:

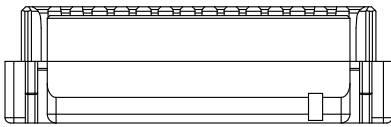
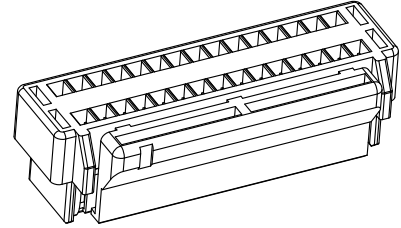
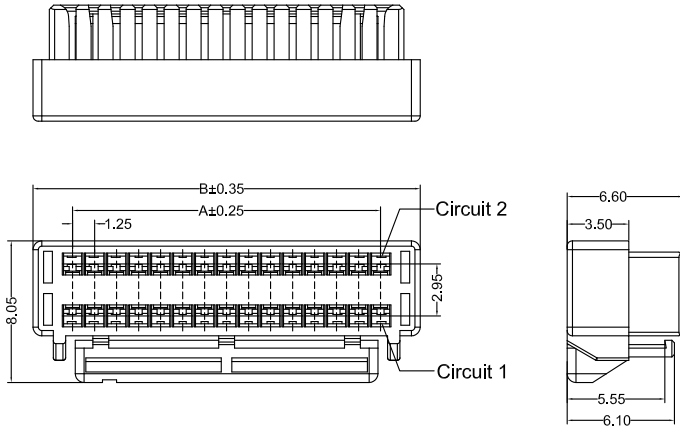
Housing: PA66/UL94-V0; Color: White
Terminal: Phosphor/ Tin-plated, Gold-Plated
Wafer Housing: LCP, UL94-V0; Color: Gray
Wafer Pin: Phosphor/ Tin-plated, Gold-Plated
Wafer Fixed Foot: Brass/ Tin-plated



- Note: 1. The above figure is the figure viewed from the connector mounting side.
2. Tolerances are non-cumulative: ±0.08 mm for all centers.
3. The dimensions above should serve as a guideline. Contact CSG for details.

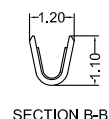
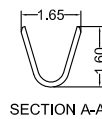
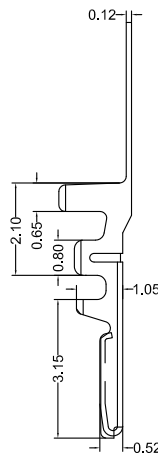
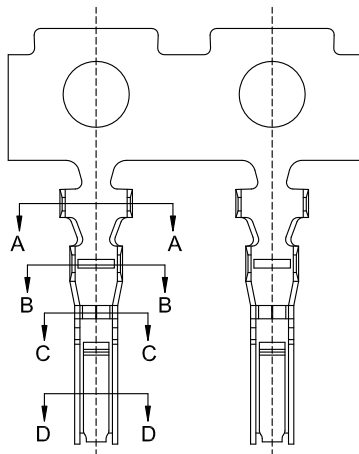
CSG

A1259 GHD



A1259HF 2XX AK P6 9 079
 PIN 205=2X5PINS
 SPECIAL AK=BUCKLE
 Material P6=PA66 94V-0
 Code 079
 Color 9=White

CSG PART NO.	Dimension mm		Q'ty/BAG
	A	B	
A1259HF205AKP69079	5.00	9.50	1000PCS
A1259HF206AKP69079	6.25	10.75	1000PCS
A1259HF207AKP69079	7.50	12.00	1000PCS
A1259HF208AKP69079	8.75	13.25	1000PCS
A1259HF209AKP69079	10.00	14.50	1000PCS
A1259HF210AKP69079	11.25	15.75	1000PCS
A1259HF211AKP69079	12.50	17.00	1000PCS
A1259HF212AKP69079	13.75	18.25	1000PCS
A1259HF213AKP69079	15.00	19.50	1000PCS
A1259HF214AKP69079	16.25	20.75	1000PCS
A1259HF215AKP69079	17.50	22.00	1000PCS
A1259HF216AKP69079	18.75	23.25	1000PCS
A1259HF217AKP69079	20.00	24.50	1000PCS
A1259HF218AKP69079	21.25	25.75	1000PCS
A1259HF219AKP69079	22.50	27.00	1000PCS
A1259HF220AKP69079	23.75	28.25	1000PCS

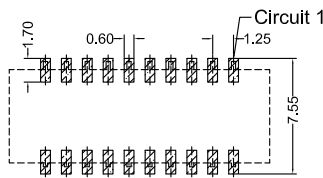
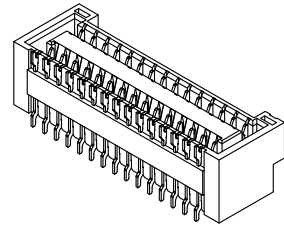
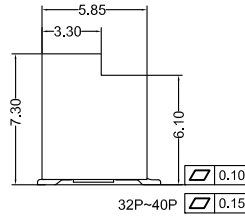
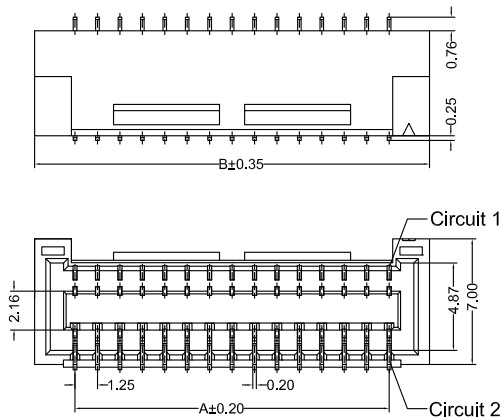


A1259 M 0 Δ XX 002
 Type M=Female Terminal
 Material A=Phosphor
 Finish TP=Tin-Plated GF=Gold-Plated G/F
 Code 002

CSG PART NO.	Wire Range	Insulation O.D.	Q'ty/Reel
A1259M0ATP002	AWG#26-#32	1.00mm(max)	20000PCS
A1259M0AGF002	AWG#26-#32	1.00mm(max)	20000PCS



A1259 GHD

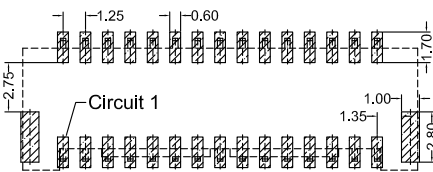
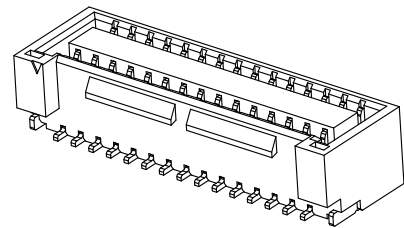
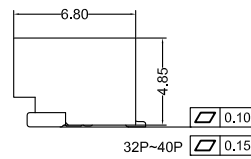
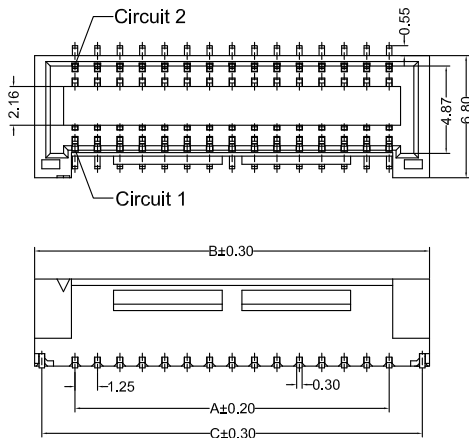


Recommended P.C.B Layout
General Tolerance±0.05

A1259RS.0XX AA LP XX B 8 001

- PIN
- 205=2X5PINS
- SPECIAL
- AA=NO Spedal
- Material
- LP=LCP 94V-0
- Finish
- TP=Terminal Tin-Plated
- GF=Terminal Gold-Plated
- Code 001
- Color 8=Gray
- Packing B=Tape & Reel

CSG PART NO.	Dimension mm		Q'ty/Reel
	A	B	
A1259RS205AALPXXB8001	5.00	9.50	900PCS
A1259RS206AALPXXB8001	6.25	10.75	900PCS
A1259RS207AALPXXB8001	7.50	12.00	900PCS
A1259RS208AALPXXB8001	8.75	13.25	900PCS
A1259RS209AALPXXB8001	10.00	14.50	900PCS
A1259RS210AALPXXB8001	11.25	15.75	900PCS
A1259RS211AALPXXB8001	12.50	17.00	900PCS
A1259RS212AALPXXB8001	13.75	18.25	900PCS
A1259RS213AALPXXB8001	15.00	19.50	900PCS
A1259RS214AALPXXB8001	16.25	20.75	900PCS
A1259RS215AALPXXB8001	17.50	22.00	900PCS
A1259RS216AALPXXB8001	18.75	23.25	900PCS
A1259RS217AALPXXB8001	20.00	24.50	900PCS
A1259RS218AALPXXB8001	21.25	25.75	900PCS
A1259RS219AALPXXB8001	22.50	27.00	900PCS
A1259RS220AALPXXB8001	23.75	28.25	900PCS



Recommended P.C.B Layout
General Tolerance±0.05

A1259VS.0XX AA LP XX B 8 001

- PIN
- 205=2X5PINS
- SPECIAL
- AA=NO Spedal
- Material
- LP=LCP 94V-0
- Finish
- TP=Terminal Tin-Plated
- GF=Terminal Gold-Plated
- Code 001
- Color 8=Gray
- Packing B=Tape & Reel

CSG PART NO.	Dimension mm			Q'ty/Reel
	A	B	C	
A1259VS205AALPXXB8001	5.00	9.50	8.70	1250PCS
A1259VS206AALPXXB8001	6.25	10.75	9.95	1250PCS
A1259VS207AALPXXB8001	7.50	12.00	11.20	1250PCS
A1259VS208AALPXXB8001	8.75	13.25	12.45	1250PCS
A1259VS209AALPXXB8001	10.00	14.50	13.70	1250PCS
A1259VS210AALPXXB8001	11.25	15.75	14.95	1250PCS
A1259VS211AALPXXB8001	12.50	17.00	16.20	1250PCS
A1259VS212AALPXXB8001	13.75	18.25	17.45	1250PCS
A1259VS213AALPXXB8001	15.00	19.50	18.70	1250PCS
A1259VS214AALPXXB8001	16.25	20.75	19.95	1250PCS
A1259VS215AALPXXB8001	17.50	22.00	21.20	1250PCS
A1259VS216AALPXXB8001	18.75	23.25	22.45	1250PCS
A1259VS217AALPXXB8001	20.00	24.50	23.70	1250PCS
A1259VS218AALPXXB8001	21.25	25.75	24.95	1250PCS
A1259VS219AALPXXB8001	22.50	27.00	26.20	1250PCS
A1259VS220AALPXXB8001	23.75	28.25	27.45	1250PCS

