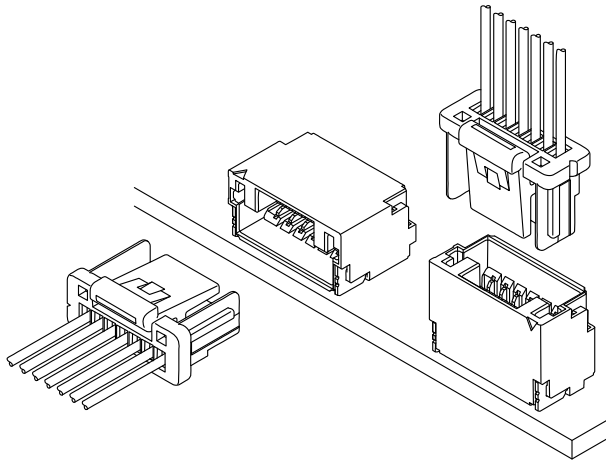


# A1010 NSH CONNECTOR

1.00mm Pitch/Disconnectable Crimp style connectors



1.00mm pitch secure lock type connector. This low insertion force type connector realizes easier mating operation. The basic concept of the contact part of this connector.

- Secure locking structure
- Contact lock structure
- Prevention of contact deformation
- Clear engagement click sounds

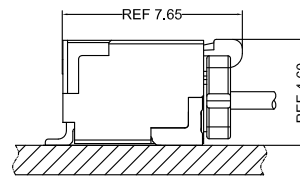
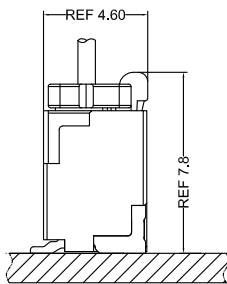


## Specifications:

- Current rating: 1.0 A AC,DC
  - Voltage rating: 50 V AC/DC
  - Temperature range: -25°C ~ +105°C  
(including temperature rise in applying electrical current)
  - Contact resistance: Initial value/ 30m Ω max  
After environmental testing/ 40m Ω max
  - Insulation resistance: 100 M Ω min
  - Withstanding voltage: 500 VAC/minute
  - Applicable wire: Conductor size/ AWG#32 to #28  
Insulation O.D./ 0.40 to 0.80 mm
- \* Compliant with RoHS2/ REACH/ HF  
\* In using the products, refer to "Handling Precautions for Terminals and Connectors" described on our website (Technical documents of Product information page).  
\* Contact CSG for details

Material:

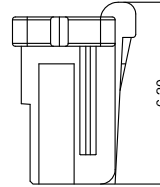
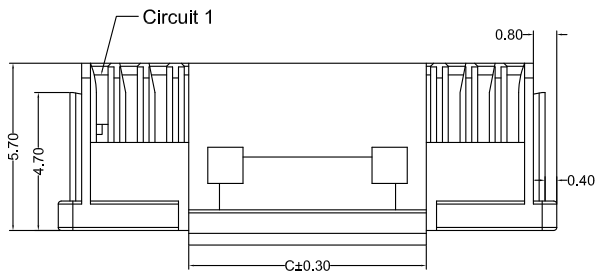
Housing: PA66,UL94-V0;Color:White  
Terminal: Phosphor/ Tin-plated, Gold-Plated  
Wafer Housing: LCP,UL94-V0;Color:Natural  
Wafer Pin: Phosphor/ Tin-plated, Gold-Plated  
Wafer Fixed Foot: Brass/ Tin-plated



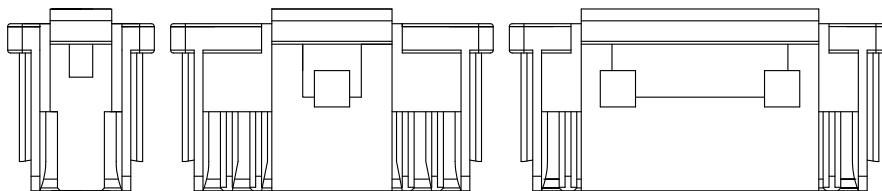
- Note: 1. The above figure is the figure viewed from the connector mounting side.  
2. Tolerances are non-cumulative:  $\pm 0.08$  mm for all centers.  
3. The dimensions above should serve as a guideline. Contact CSG for details.

**CSG**

# A1010 NSH



A1010HF 0XX AA P6 9 001  
 PIN  
 002=2PINS  
 SPECIAL  
 AK=BUCKLE  
 Material  
 P6=PA66 94V-0  
 Code  
 001  
 Color  
 9=White

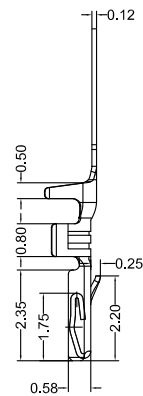
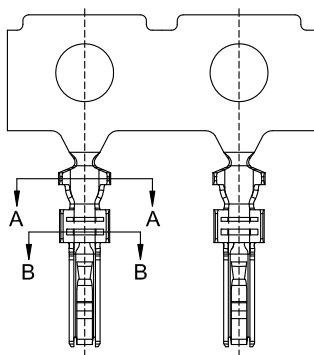


2P~4P

5P~9P

10P~15P

CSG PART NO.	Dimension mm			Q'ty/BAG
	A	B	C	
A1010HF002AKP69001	2.00	5.00	2.00	1000PCS
A1010HF003AKP69001	2.00	5.00	2.00	1000PCS
A1010HF004AKP69001	3.00	6.00	2.00	1000PCS
A1010HF005AKP69001	4.00	7.00	3.40	1000PCS
A1010HF006AKP69001	5.00	8.00	4.30	1000PCS
A1010HF007AKP69001	6.00	9.00	4.30	1000PCS
A1010HF008AKP69001	7.00	10.00	4.30	1000PCS
A1010HF009AKP69001	8.00	11.00	4.30	1000PCS
A1010HF010AKP69001	9.00	12.00	6.15	1000PCS
A1010HF011AKP69001	10.00	13.00	6.15	1000PCS
A1010HF012AKP69001	11.00	14.00	6.15	1000PCS
A1010HF013AKP69001	12.00	15.00	6.15	1000PCS
A1010HF014AKP69001	13.00	16.00	8.10	1000PCS
A1010HF015AKP69001	14.00	17.00	8.10	1000PCS



SECTION A-A



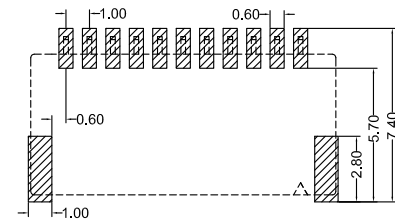
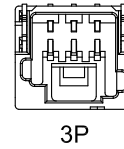
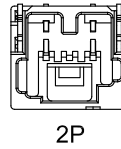
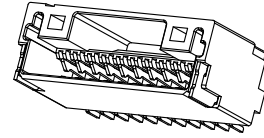
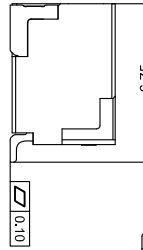
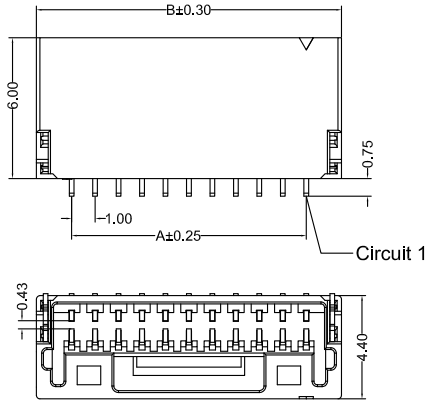
SECTION B-B

A1010 M 0 A XX 001  
 Type  
 M=Female Terminal  
 Material  
 A=Phosphor  
 Finish  
 TP=Tin-Plated  
 GF=Gold-Plated  
 Code  
 001

CSG PART NO.	Wire Range	Insulation O.D.	Q'ty/Reel
A1010M0ATP001	AWG#28-#32	0.75mm(max)	20000PCS
A1010M0AGF001	AWG#28-#32	0.75mm(max)	20000PCS



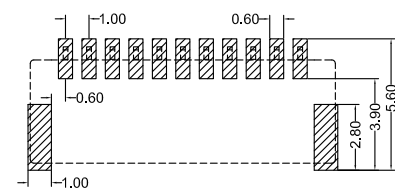
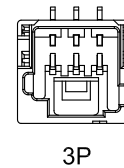
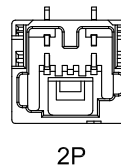
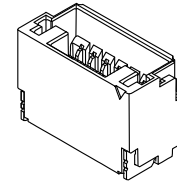
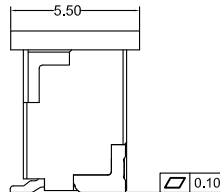
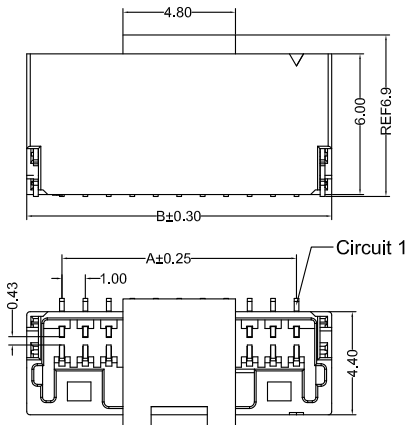
# A1010 NSH



Recommended P.C.B Layout  
General Tolerance±0.05

A1010RS\_0XX AA LP XX B B 001  
 PIN  
 002=2PINS  
 SPECIAL  
 AA=NO Special  
 Material  
 LP=LCP 94V-0  
 Finish  
 TP=Terminal Tin-Plated  
 GF=Terminal Gold-Plated  
 Code  
 001  
 Color  
 8=Gray  
 Packing  
 B=Tape & Reel

CSG PART NO.	Dimension mm		Q'ty/Reel
	A	B	
A1010RS002AALPXXB8001	2.00	5.00	1000PCS
A1010RS003AALPXXB8001	2.00	5.00	1000PCS
A1010RS004AALPXXB8001	3.00	6.00	1000PCS
A1010RS005AALPXXB8001	4.00	7.00	1000PCS
A1010RS006AALPXXB8001	5.00	8.00	1000PCS
A1010RS007AALPXXB8001	6.00	9.00	1000PCS
A1010RS008AALPXXB8001	7.00	10.00	1000PCS
A1010RS009AALPXXB8001	8.00	11.00	1000PCS
A1010RS010AALPXXB8001	9.00	12.00	1000PCS
A1010RS011AALPXXB8001	10.00	13.00	1000PCS
A1010RS012AALPXXB8001	11.00	14.00	1000PCS
A1010RS013AALPXXB8001	12.00	15.00	1000PCS
A1010RS014AALPXXB8001	13.00	16.00	1000PCS
A1010RS015AALPXXB8001	14.00	17.00	1000PCS



Recommended P.C.B Layout  
General Tolerance±0.05

A1010VS\_0XX AA LP XX B B 001  
 PIN  
 002=2PINS  
 SPECIAL  
 AA=NO Special  
 Material  
 LP=LCP 94V-0  
 Finish  
 TP=Terminal Tin-Plated  
 GF=Terminal Gold-Plated  
 Code  
 001  
 Color  
 8=Gray  
 Packing  
 B=Tape & Reel

CSG PART NO.	Dimension mm		Q'ty/Reel
	A	B	
A1010VS002AALPXXB8001	2.00	5.00	700PCS
A1010VS003AALPXXB8001	2.00	5.00	700PCS
A1010VS004AALPXXB8001	3.00	6.00	700PCS
A1010VS005AALPXXB8001	4.00	7.00	700PCS
A1010VS006AALPXXB8001	5.00	8.00	700PCS
A1010VS007AALPXXB8001	6.00	9.00	700PCS
A1010VS008AALPXXB8001	7.00	10.00	700PCS
A1010VS009AALPXXB8001	8.00	11.00	700PCS
A1010VS010AALPXXB8001	9.00	12.00	700PCS
A1010VS011AALPXXB8001	10.00	13.00	700PCS
A1010VS012AALPXXB8001	11.00	14.00	700PCS
A1010VS013AALPXXB8001	12.00	15.00	700PCS
A1010VS014AALPXXB8001	13.00	16.00	700PCS
A1010VS015AALPXXB8001	14.00	17.00	700PCS

