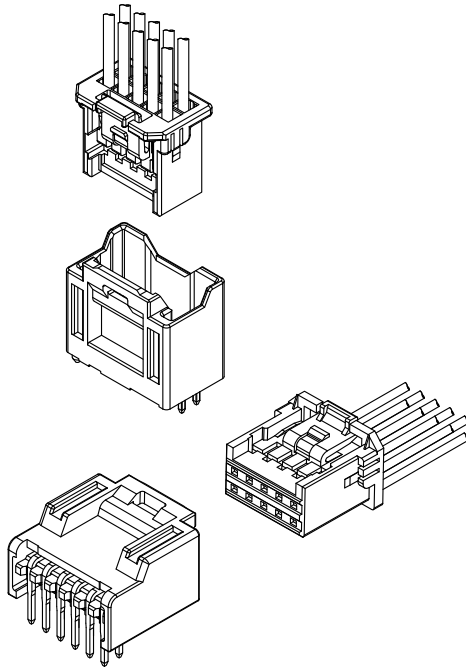


A2024 501646 CONNECTOR

2.00mm Pitch/Disconnectable Crimp style connectors



Specifications:

- Current rating: 3 A AC,DC (AWG #22)
- Voltage rating: 250 V AC/DC
- Temperature range: -25°C ~ +105°C
(including temperature rise in applying electrical current)
- Contact resistance: Initial value/ 10m Ω max
After environmental testing/ 20m Ω max
- Insulation resistance: 1000 M Ω min
- Withstanding voltage: 1000 VAC/minute
- Applicable wire: Conductor size/ AWG#28~#22
Insulation O.D./ 0.76 to 1.40 mm

- * Compliant with RoHS2/ REACH
- * Refer to "General Instruction and Notice when using Terminals and Connectors"
- * Contact CSG for details

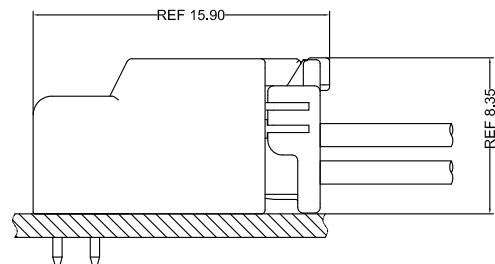
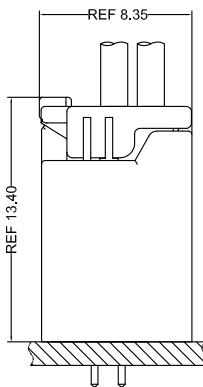
Material:

Housing: PA66/UL94-V0;Color:Gray

Terminal: Phosphor/ Tin-plated

DIP Wafer Housing: PA66,UL94-V0;Color:Gray

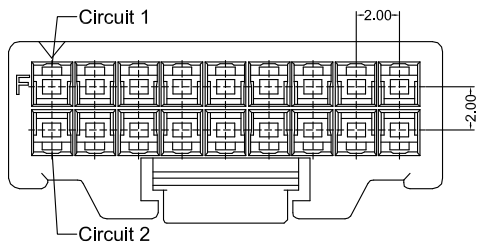
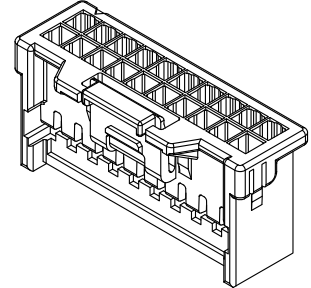
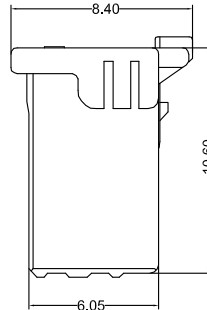
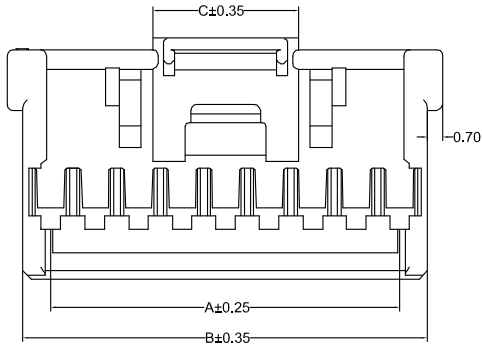
DIP Pin: Brass/ Tin-plated



- Note: 1. The above figure is the figure viewed from the connector mounting side.
2. Tolerances are non-cumulative: ± 0.08 mm for all centers.
3. The dimensions above should serve as a guideline. Contact CSG for details.

CSG

A2024 501646

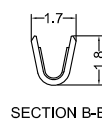
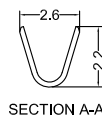
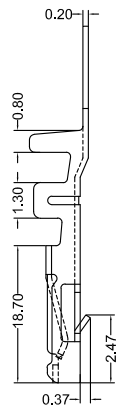
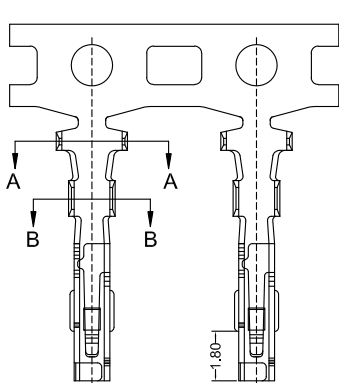


A2024HF 2XX AK P6 8 001

PIN
205=2X5PINS
SPECIAL
AK=BUCKLE
Material
P6=PA66 94V-0

Code
001
Color
8=Gray

CSG PART NO.	Dimension mm			Q'ty/BAG
	A	B	C	
A2024HF205AKP68001	8.00	10.60	5.10	1000PCS
A2024HF206AKP68001	10.00	12.60	6.80	1000PCS
A2024HF207AKP68001	12.00	14.60	6.80	1000PCS
A2024HF208AKP68001	14.00	16.60	6.80	1000PCS
A2024HF209AKP68001	16.00	18.60	6.80	1000PCS
A2024HF210AKP68001	18.00	20.60	6.80	1000PCS
A2024HF211AKP68001	20.00	22.60	6.80	1000PCS
A2024HF212AKP68001	22.00	24.60	6.80	1000PCS
A2024HF213AKP68001	24.00	26.60	6.80	1000PCS
A2024HF214AKP68001	26.00	28.60	6.80	1000PCS
A2024HF215AKP68001	28.00	30.60	6.80	1000PCS
A2024HF216AKP68001	30.00	32.60	6.80	1000PCS
A2024HF217AKP68001	32.00	34.60	6.80	1000PCS
A2024HF218AKP68001	34.00	36.60	6.80	1000PCS
A2024HF219AKP68001	36.00	38.60	6.80	1000PCS
A2024HF220AKP68001	38.00	40.60	6.80	1000PCS



A2024 M 0 A TP 001

Type
M=Female Terminal

Material
A=Phosphor

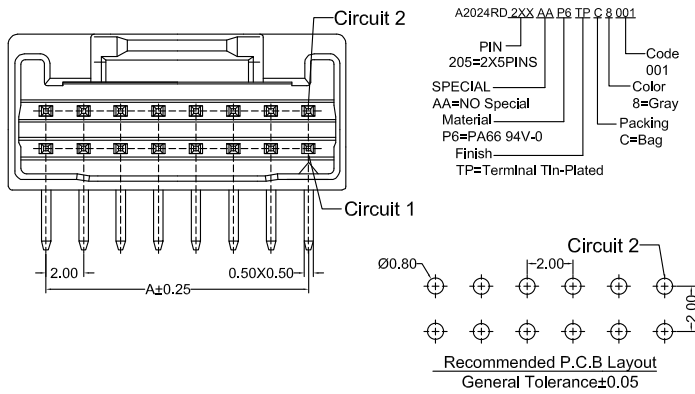
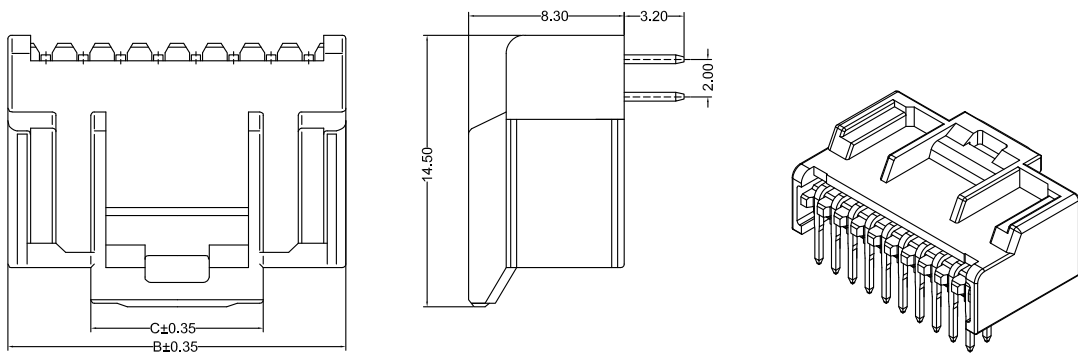
Finish
TP=Tin-Plated

Code
001

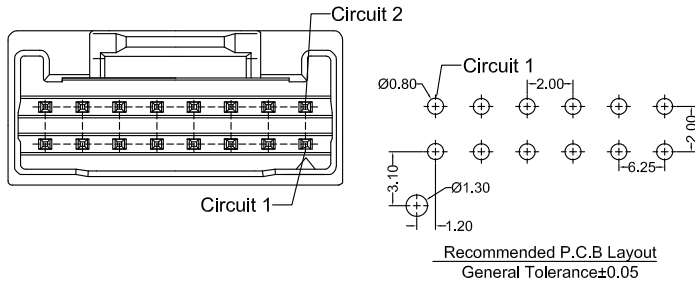
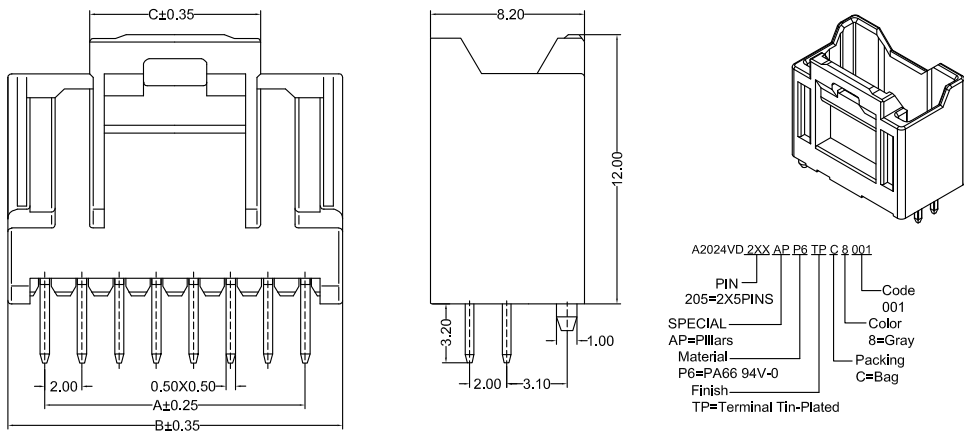
CSG PART NO.	Wire Range	Insulation O.D.	Q'ty/Reel
A2024M0ATP001	AWG#22-#28	1.40mm(max)	10000PCS



A2024 501646



CSG PART NO.	Dimension mm			Q'ty/BAG
	A	B	C	
A2024RD205AAP6TPC8001	8.00	12.00	7.30	1000PCS
A2024RD206AAP6TPC8001	10.00	14.00	9.20	1000PCS
A2024RD207AAP6TPC8001	12.00	16.00	9.20	1000PCS
A2024RD208AAP6TPC8001	14.00	18.00	9.20	1000PCS
A2024RD209AAP6TPC8001	16.00	20.00	9.20	1000PCS
A2024RD210AAP6TPC8001	18.00	22.00	9.20	1000PCS
A2024RD211AAP6TPC8001	20.00	24.00	9.20	1000PCS
A2024RD212AAP6TPC8001	22.00	26.00	9.20	1000PCS
A2024RD213AAP6TPC8001	24.00	28.00	9.20	1000PCS
A2024RD214AAP6TPC8001	26.00	30.00	9.20	1000PCS
A2024RD215AAP6TPC8001	28.00	32.00	9.20	1000PCS
A2024RD216AAP6TPC8001	30.00	34.00	9.20	1000PCS
A2024RD217AAP6TPC8001	32.00	36.00	9.20	1000PCS
A2024RD218AAP6TPC8001	34.00	38.00	9.20	1000PCS
A2024RD219AAP6TPC8001	36.00	40.00	9.20	1000PCS
A2024RD220AAP6TPC8001	38.00	42.00	9.20	1000PCS



CSG PART NO.	Dimension mm			Q'ty/BAG
	A	B	C	
A2024VD205APP6TPC8001	8.00	12.00	7.30	1000PCS
A2024VD206APP6TPC8001	10.00	14.00	9.20	1000PCS
A2024VD207APP6TPC8001	12.00	16.00	9.20	1000PCS
A2024VD208APP6TPC8001	14.00	18.00	9.20	1000PCS
A2024VD209APP6TPC8001	16.00	20.00	9.20	1000PCS
A2024VD210APP6TPC8001	18.00	22.00	9.20	1000PCS
A2024VD211APP6TPC8001	20.00	24.00	9.20	1000PCS
A2024VD212APP6TPC8001	22.00	26.00	9.20	1000PCS
A2024VD213APP6TPC8001	24.00	28.00	9.20	1000PCS
A2024VD214APP6TPC8001	26.00	30.00	9.20	1000PCS
A2024VD215APP6TPC8001	28.00	32.00	9.20	1000PCS
A2024VD216APP6TPC8001	30.00	34.00	9.20	1000PCS
A2024VD217APP6TPC8001	32.00	36.00	9.20	1000PCS
A2024VD218APP6TPC8001	34.00	38.00	9.20	1000PCS
A2024VD219APP6TPC8001	36.00	40.00	9.20	1000PCS
A2024VD220APP6TPC8001	38.00	42.00	9.20	1000PCS

