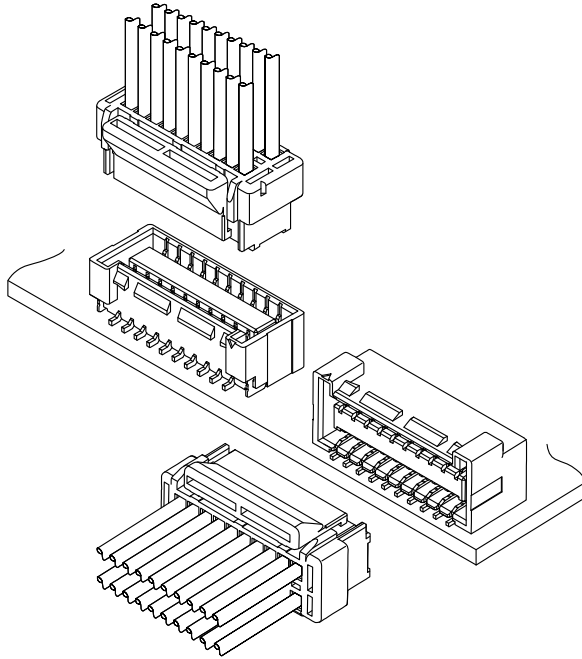


# A1503 ZPD CONNECTOR

1.50mm Pitch/Disconnectable Crimp style connectors



In order to correspond to the high-density PC board designing, this ZPD connector is designed as 1.5 mm pitch dual-row type connector with secure locking device. Low insertion force is realized and good mating feeling is also prepared, and these provide the certain mating operation.



- Secure locking structure
- Low insertion force
- Suction area for picking up
- Improvement of engagement with prying

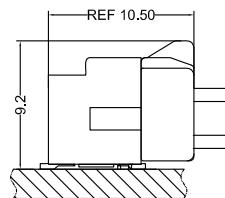
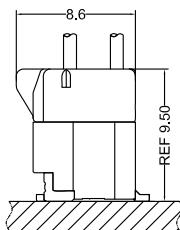
## Specifications:

- Current rating: 2 A / 10 to 30 circuits AC,DC (AWG #24)  
1.5 A / 32 to 40 circuits AC,DC (AWG #24)
- Voltage rating: 100 V AC/DC
- Temperature range: -25°C ~ +105°C  
(including temperature rise in applying electrical current)
- Contact resistance: Initial value/ 30m Ω max  
After environmental testing/ 60m Ω max
- Insulation resistance: 500 M Ω min
- Withstanding voltage: 500 VAC/minute
- Applicable wire: Conductor size/ AWG#28~#24  
Insulation O.D./ 0.76 to 1.20 mm

- \* Compliant with RoHS2/ HF/ REACH
- \* Refer to "General Instruction and Notice when using Terminals and Connectors"
- \* Contact CSG for details

Material:

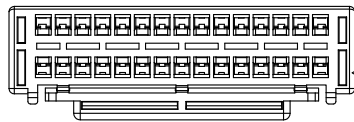
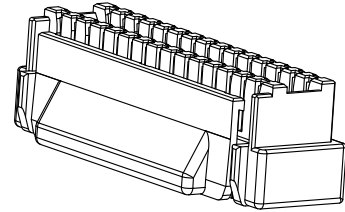
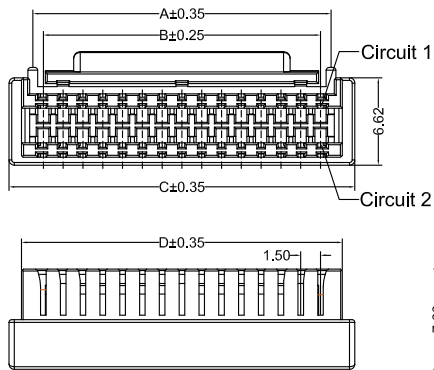
Housing: PA66/UL94-V0;Color:White  
Terminal: Phosphor/ Tin-plated  
Wafer Housing: LCP,UL94-V0;Color:Gray  
Wafer Pin: Phosphor/ Tin-plated,Gold-Plated  
Wafer Fixed Foot: Bass/ Tin-plated



- Note: 1. The above figure is the figure viewed from the connector mounting side.  
2. Tolerances are non-cumulative:  $\pm 0.08$  mm for all centers.  
3. The dimensions above should serve as a guideline. Contact CSG for details.

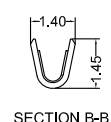
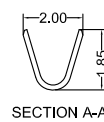
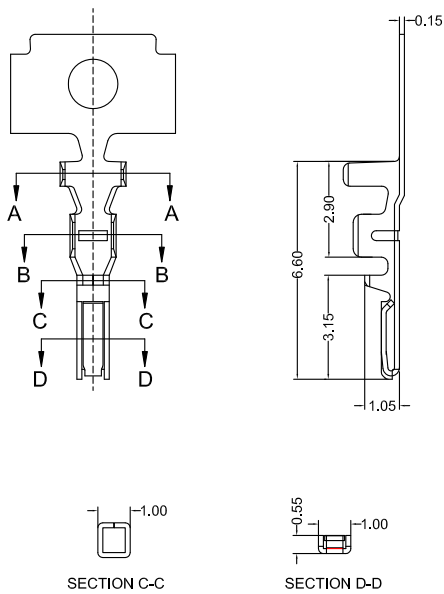
**CSG**

# A1503 ZPD



A1503HF 2XX AK P6 9 079  
 PIN 205=2X5PINS  
 SPECIAL  
 AK=BUCKLE  
 Material P6=PA66 94V-0  
 Code 079  
 Color 9=White

CSG PART NO.	Dimension mm				Q'ty/BAG
	A	B	C	D	
A1503HF205AKP69079	7.50	6.00	11.20	9.30	1000PCS
A1503HF206AKP69079	9.00	7.50	12.70	10.80	1000PCS
A1503HF207AKP69079	10.50	9.00	14.20	12.30	1000PCS
A1503HF208AKP69079	12.00	10.50	15.70	13.80	1000PCS
A1503HF209AKP69079	13.50	12.00	17.20	15.30	1000PCS
A1503HF210AKP69079	15.00	13.50	18.70	16.80	1000PCS
A1503HF211AKP69079	16.50	15.00	20.20	18.30	1000PCS
A1503HF212AKP69079	18.00	16.50	21.70	19.80	1000PCS
A1503HF213AKP69079	19.50	18.00	23.20	21.30	1000PCS
A1503HF214AKP69079	21.00	19.50	24.70	22.80	1000PCS
A1503HF215AKP69079	22.50	21.00	26.20	24.30	1000PCS
A1503HF216AKP69079	24.00	22.50	27.70	25.80	1000PCS
A1503HF217AKP69079	25.50	24.00	29.20	27.30	1000PCS
A1503HF218AKP69079	27.00	25.50	30.70	28.80	1000PCS
A1503HF219AKP69079	28.50	27.00	32.20	30.30	1000PCS
A1503HF220AKP69079	30.00	28.50	33.70	31.80	1000PCS

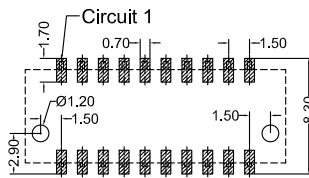
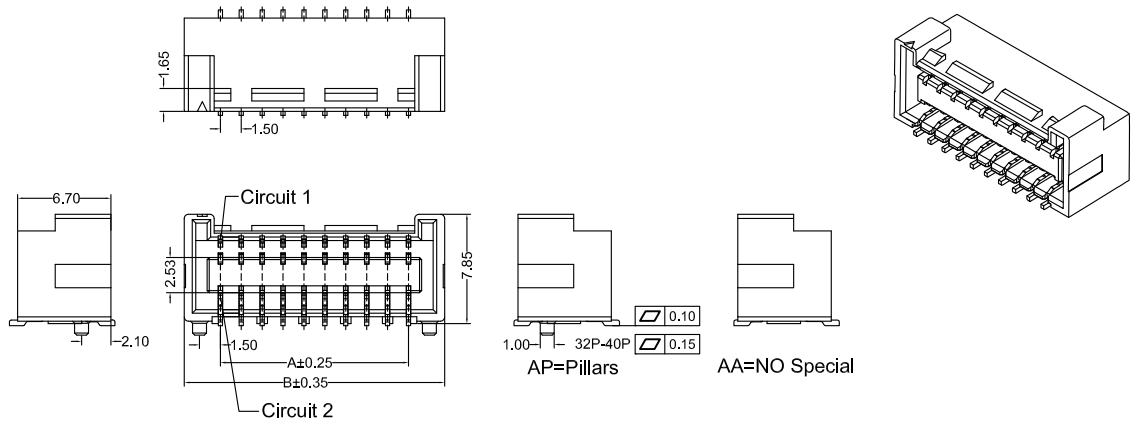


A1503 M 0 A XX 002  
 Type M=Female Terminal  
 Material A=Phosphor  
 Finish TP=Tin-Plated GF=Gold-Plated G/F  
 Code 002

CSG PART NO.	Wire Range	Insulation O.D.	Q'ty/Reel
A1503M0ATP002	AWG#24-#28	1.20mm(max)	15000PCS
A1503M0AGF002	AWG#24-#28	1.20mm(max)	15000PCS



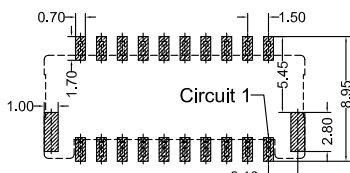
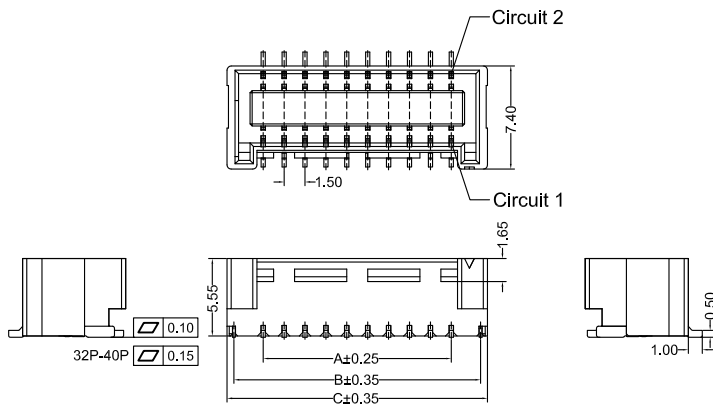
# A1503 ZPD



Recommended P.C.B Layout  
General Tolerance±0.05

A1503RS.0XX AX LP XX B B 001  
 PIN  
 202=2X2PINS  
 SPECIAL  
 AA=NO Special  
 AP=Pillars  
 Material  
 LP=LCP 94V-0  
 Finish  
 TP=Terminal Tin-Plated  
 GF=Terminal Gold-Plated  
 Code  
 001  
 Color  
 8=Gray  
 Packing  
 B=Tape & Reel

CSG PART NO.	Dimension mm		Q'ty/Reel
	A	B	
A1503RS205AXLPXXB8001	6.00	11.20	700PCS
A1503RS206AXLPXXB8001	7.50	12.70	700PCS
A1503RS207AXLPXXB8001	9.00	14.20	700PCS
A1503RS208AXLPXXB8001	10.50	15.70	700PCS
A1503RS209AXLPXXB8001	12.00	17.20	700PCS
A1503RS210AXLPXXB8001	13.50	18.70	700PCS
A1503RS211AXLPXXB8001	15.00	20.20	700PCS
A1503RS212AXLPXXB8001	16.50	21.70	700PCS
A1503RS213AXLPXXB8001	18.00	23.20	700PCS
A1503RS214AXLPXXB8001	19.50	24.70	700PCS
A1503RS215AXLPXXB8001	21.00	26.20	700PCS
A1503RS216AXLPXXB8001	22.50	27.70	700PCS
A1503RS217AXLPXXB8001	24.00	29.20	700PCS
A1503RS218AXLPXXB8001	25.50	30.70	700PCS
A1503RS219AXLPXXB8001	27.00	32.20	700PCS
A1503RS220AXLPXXB8001	28.50	33.70	700PCS



Recommended P.C.B Layout  
General Tolerance±0.05

A1503VS.0XX AA LP XX B B 001  
 PIN  
 202=2X2PINS  
 SPECIAL  
 AA=NO Special  
 Material  
 LP=LCP 94V-0  
 Finish  
 TP=Terminal Tin-Plated  
 GF=Terminal Gold-Plated  
 Code  
 001  
 Color  
 8=Gray  
 Packing  
 B=Tape & Reel

CSG PART NO.	Dimension mm			Q'ty/Reel
	A	B	C	
A1503VS205AALPXXB8001	6.00	10.20	11.20	1000PCS
A1503VS206AALPXXB8001	7.50	11.70	12.70	1000PCS
A1503VS207AALPXXB8001	9.00	13.20	14.20	1000PCS
A1503VS208AALPXXB8001	10.50	14.70	15.70	1000PCS
A1503VS209AALPXXB8001	12.00	16.20	17.20	1000PCS
A1503VS210AALPXXB8001	13.50	17.70	18.70	1000PCS
A1503VS211AALPXXB8001	15.00	19.20	20.20	1000PCS
A1503VS212AALPXXB8001	16.50	20.70	21.70	1000PCS
A1503VS213AALPXXB8001	18.00	22.20	23.20	1000PCS
A1503VS214AALPXXB8001	19.50	23.70	24.70	1000PCS
A1503VS215AALPXXB8001	21.00	25.20	26.20	1000PCS
A1503VS216AALPXXB8001	22.50	26.70	27.70	1000PCS
A1503VS217AALPXXB8001	24.00	28.20	29.20	1000PCS
A1503VS218AALPXXB8001	25.50	29.70	30.70	1000PCS
A1503VS219AALPXXB8001	27.00	31.20	32.20	1000PCS
A1503VS220AALPXXB8001	28.50	32.70	33.70	1000PCS

