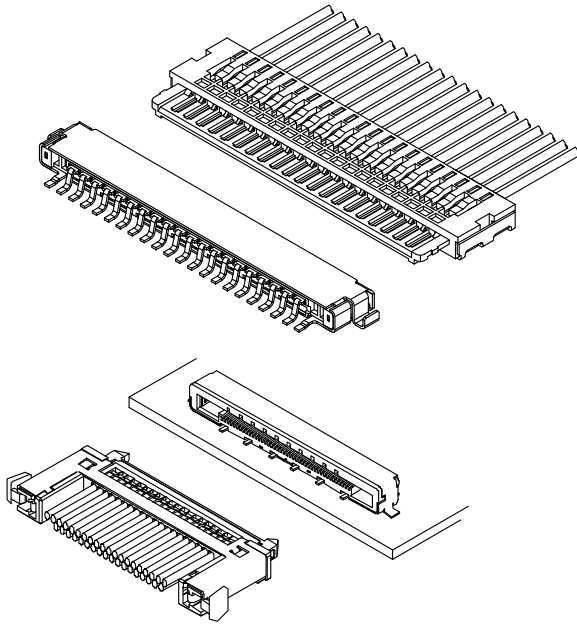


A1001 FI-X CONNECTOR

1.00mm Pitch/Disconnectable Crimp style connectors



- The LVDS crimp style connector. It is used to connect the display screen to the main board. Height of 1.65 mm
- Compact, low profile design.

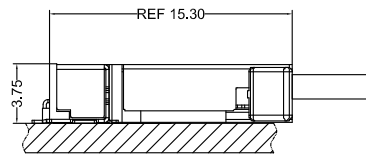
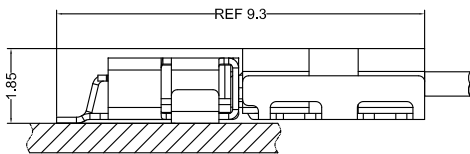


Specifications:

- Current rating: 1.0 A AC,DC (AWG #28)
 - Voltage rating: 200 V AC/DC
 - Temperature range: -40°C ~ +105°C
(including temperature rise in applying electrical current)
 - Contact resistance: Initial value/ 40m Ω max
After environmental testing/ 40m Ω max
 - Insulation resistance: 100 M Ω min
 - Withstanding voltage: 500 VAC/minute
 - Applicable wire: Conductor size/ AWG#36 to #28
Insulation O.D./ 0.3 to 0.5 mm
- * Compliant with RoHS2/ HF/ REACH
* In using the products, refer to "Handling Precautions for Terminals and Connectors" described on our website (Technical documents of Product information page).
* Contact CSG for details

Material:

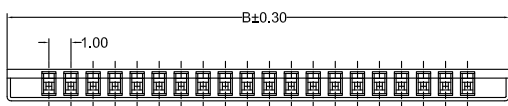
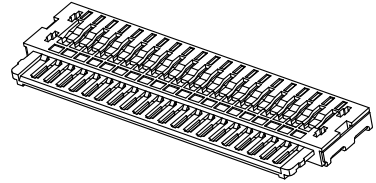
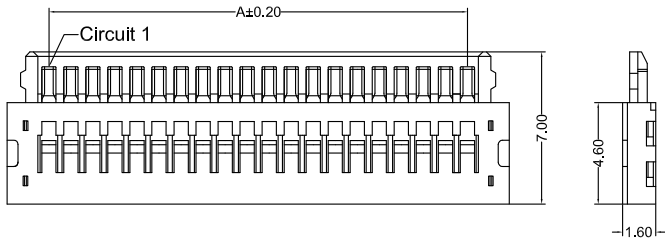
Housing: PA46/ PA66,UL94-V0;Color:Natural/ Black
Terminal: Phosphor/ Gold-Plated
Wafer Housing: LCP,UL94-V0;Color:Gray/ Black
Wafer Pin: Phosphor/ Gold-plated/3U"/ 5U"
Wafer Shell: Brass/ Tin-plated



- Note: 1. The above figure is the figure viewed from the connector mounting side.
2. Tolerances are non-cumulative: ± 0.08 mm for all centers.
3. The dimensions above should serve as a guideline. Contact CSG for details.

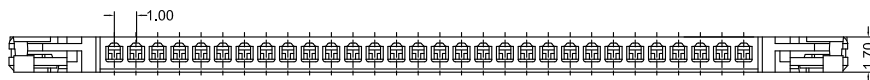
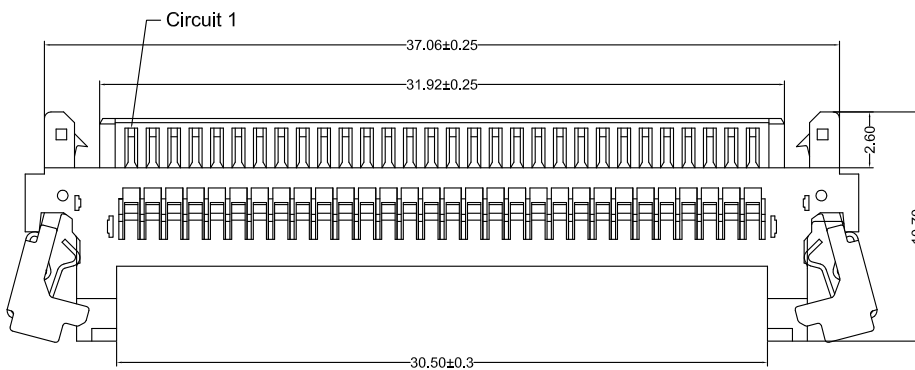
CSG

A1001 FI-X



A1001HF 0XX AA P4 A 001
 PIN 002=2PINS
 SPECIAL
 AA=NO Special
 Material P4=PA46 94V-0
 Code 001
 Color A=Natural

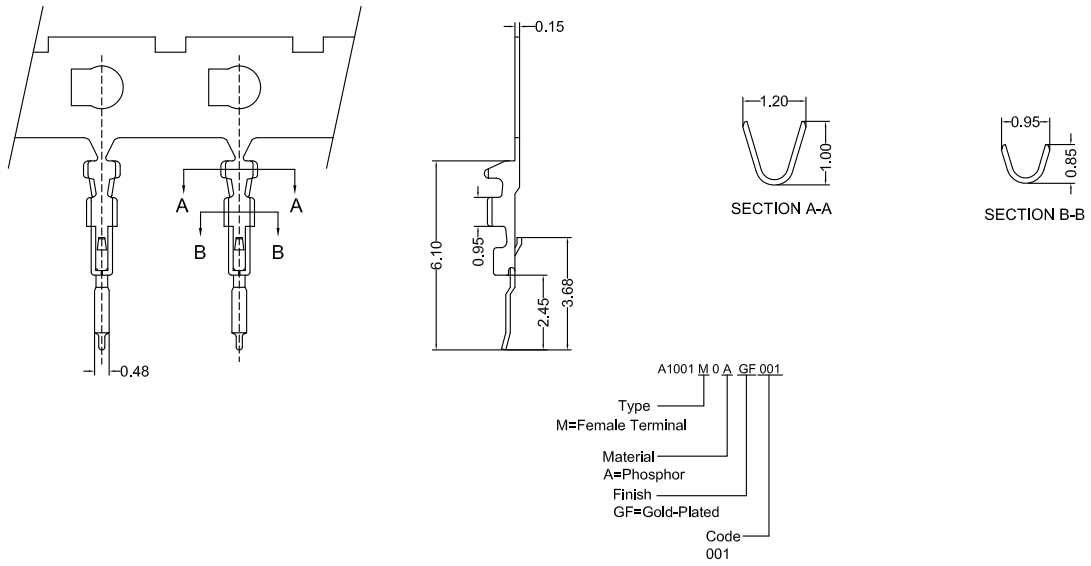
CSG PART NO.	Dimension mm		Q'ty/BAG
	A	B	
A1001HF020AAP4A001	19.00	23.30	1000PCS
A1001HF030AAP4A001	29.00	33.30	1000PCS



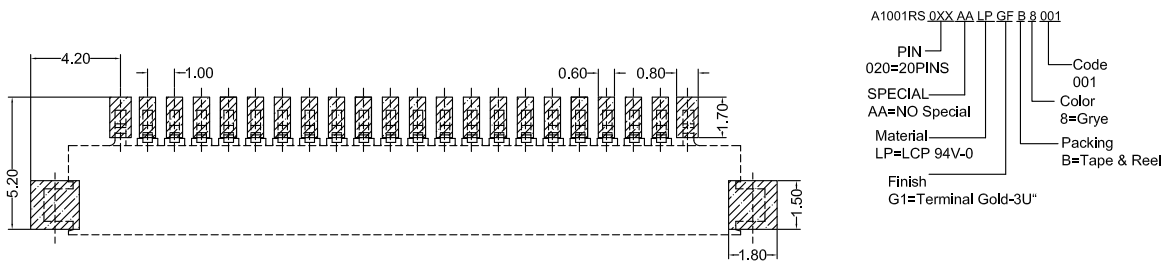
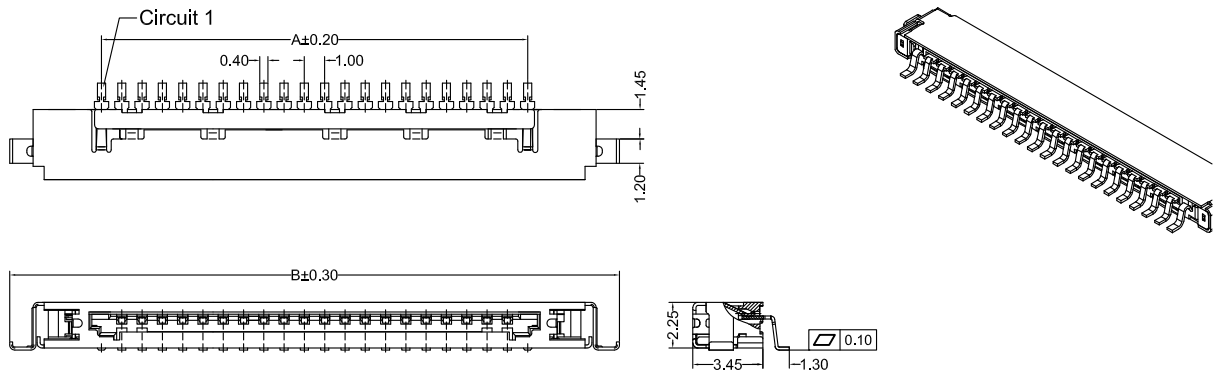
A1001HF 030 AJ P4 A 001
 PIN 030=30PINS
 SPECIAL AJ=With hook
 Material P4=PA46 94V-0
 Code 001
 Color A=Natural



A1001 FI-)



CSG PART NO.	Wire Range	Insulation O.D.	Q'ty
A1001M0AGF001	AWG#28-#36	0.50mm(max)	250

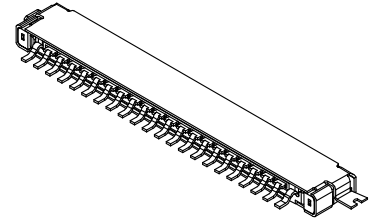
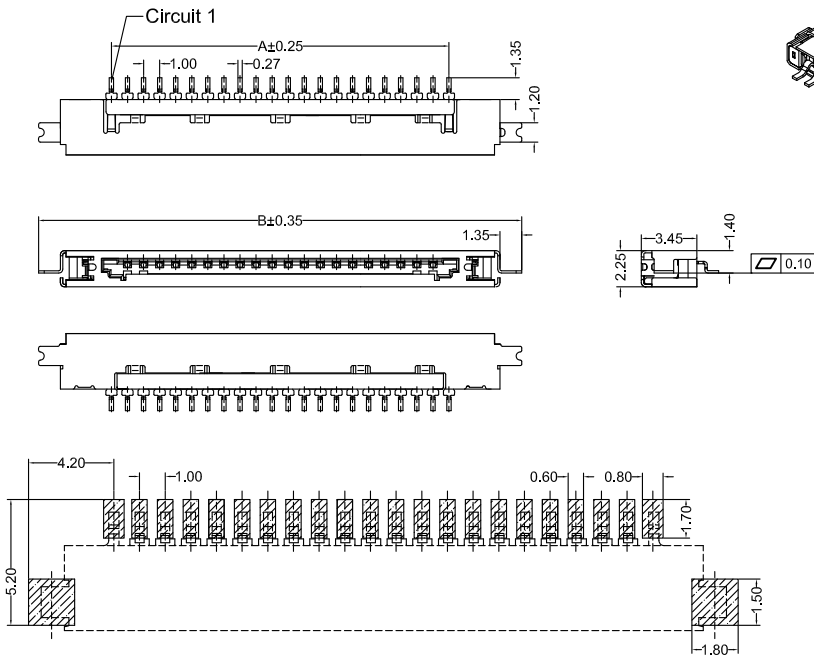


Recommended P.C.B Layout
General Tolerance±0.05

CSG PART NO.	Dimension mm		Q'ty/Reel
	A	B	
A1001RS020AALPG1B8001	19.00	30.05	2600PCS
A1001RS030AALPG1B8001	29.00	40.05	2600PCS



A1001 FI-X

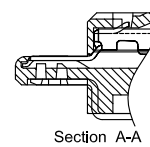
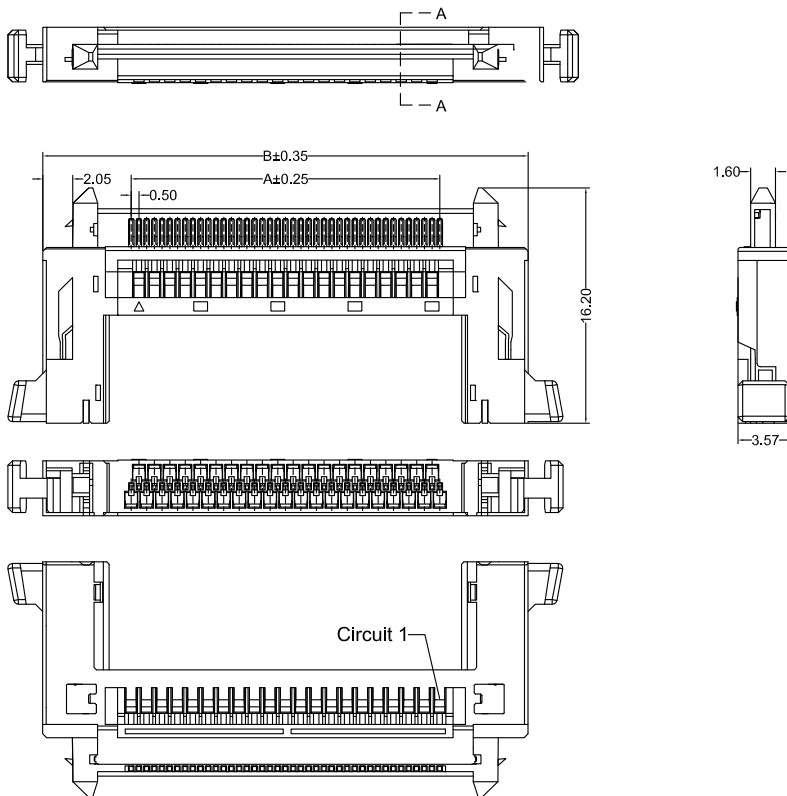


A1001RS 0XX CB LP G1 B 8 001

- PIN 020=20PINS
- SPECIAL CB=Sunken plate
- Material LP=LCP 94V-0
- Finish G1=Terminal Gold-3U*
- Code 001
- Color 8=Grye
- Packing B=Tape & Reel

Recommended P.C.B Layout
General Tolerance±0.05

CSG PART NO.	Dimension mm		Q'ty/Reel
	A	B	
A1001RS020CBLPG1B8001	19.00	30.05	2600PCS
A1001RS030CBLPG1B8001	29.00	40.05	2600PCS



Section A-A

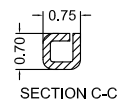
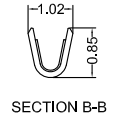
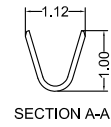
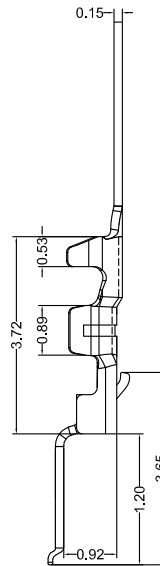
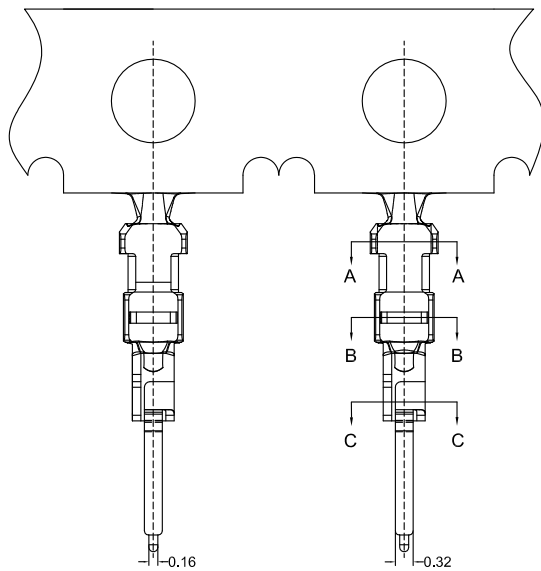
A1001HF 0XX AJ P6 0 001

- PIN 041=41PINS
- SPECIAL AJ=With hook
- Material P6=PA66 94V-0
- Code 001
- Color 0=Black

CSG PART NO.	Dimension mm		Q'ty/BAG
	A	B	
A1001HF041AJP60001	19.00	23.30	1000PCS
A1001HF051AJP60001	29.00	33.30	1000PCS

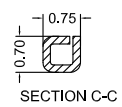
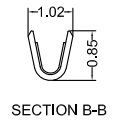
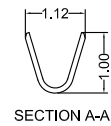
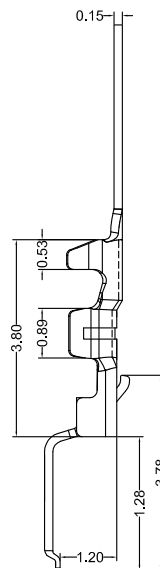
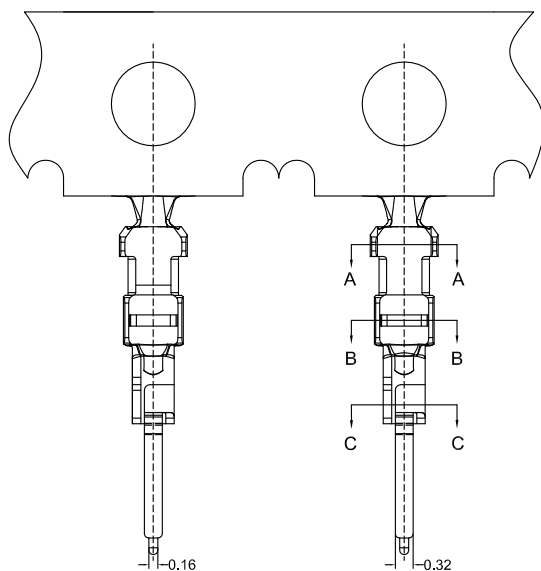


A1001 FI-X



A1001 M J A GF 001
 Type
 M=Female Terminal
 SPECIAL
 J=Short
 Material
 A=Phosphor
 Finish
 GF=Gold-Plated
 Code
 001

CSG PART NO.	Wire Range	Insulation O.D.	Q'ty/Reel
A1001MJAGF001	AWG#28-#36	0.50mm(max)	25000PCS

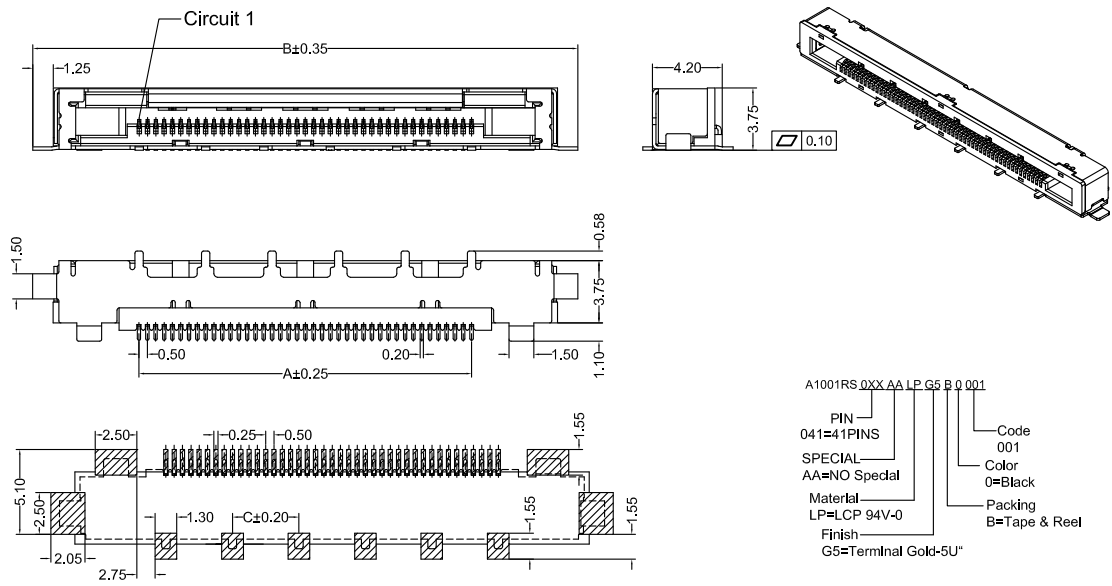


A1001 M H A GF 001
 Type
 M=Female Terminal
 SPECIAL
 H=High
 Material
 A=Phosphor
 Finish
 GF=Gold-Plated
 Code
 001

CSG PART NO.	Wire Range	Insulation O.D.	Q'ty/Reel
A1001MHAGF001	AWG#28-#36	0.50mm(max)	25000PCS



A1001 FI-X



Recommended P.C.B Layout
General Tolerance±0.05

CSG PART NO.	Dimension mm			Q'ty/Reel
	A	B	C	
A1001RS041AALPG5B0001	20.00	32.85	4.00	1000PCS
A1001RS051AALPG5B0001	25.00	37.85	5.00	1000PCS

